

# Defence



**Panel Mounting Socket Outlet QUICK-CONNECT**

- Screwless terminals
- Straight
- Kontex contact
- High-temperature-resistant contact carrier
- Nickel plated contacts
- Flange 75 x 75 mm
- Protection degree IP67

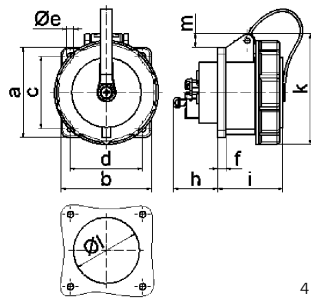
(Form AS)



13066



Ampere	Poles	Order no. Supply no. 5935-12-... VG-type-Nr. VG 96919...	230V 50-60 Hz		400V 50-60 Hz		400V 60 Hz		301-500Hz >50V			9
			3pol 6h	4pol 9h	3pol 9h	4pol 6h	4pol 11h	5pol 11h	3pol 2h	4pol 2h	5pol 2h	
16	3	Order no. 13064 Supply no. 5935-12-... VG-type-Nr. VG 96919...	320-7272 AS 013						13098 AS 039			150
16	4	Order no. 13928 Supply no. 5935-12-... VG-type-Nr. VG 96919...	AS 020		13633 AS 018		13929 AS 021		13930 AS 022			170
16	5	Order no. 13189* Supply no. 5935-12-... VG-type-Nr. VG 96919...	AS 002		13065* 300-5324 AS 001		13182* AS 003		13183* AS 004			195
32	3	Order no. 13032 Supply no. 5935-12-... VG-type-Nr. VG 96919...	AS 042						13932 AS 044			245
32	4	Order no. 13933 Supply no. 5935-12-... VG-type-Nr. VG 96919...	AS 025		13634 AS 023		13166 AS 026		13935 AS 027			265
32	5	Order no. 13297* Supply no. 5935-12-... VG-type-Nr. VG 96919...	AS 006		13066* 300-5323 AS 005		13184* AS 007		13175* 321-5242 AS 008			315



Ampere Poles	16 3	16 4	16 5	32 3	32 4	32 5
a	75,0	75,0	75,0	75,0	75,0	75,0
b	75,0	75,0	75,0	75,0	75,0	75,0
c	60,0	60,0	60,0	60,0	60,0	60,0
d	60,0	60,0	60,0	60,0	60,0	60,0
Øe	5,5	5,5	5,5	5,5	5,5	5,5
f	7,0	7,0	7,0	8,0	8,0	8,0
h	35,0	35,0	35,0	50,0	50,0	50,0
i	57,0	57,0	57,0	69,0	69,0	69,0
k	77,0	83,0	93,0	98,0	98,0	107,0
Øl	45,0	75,0	55,0	60,0	60,0	60,0
m	4,0	7,0	12,0	12,0	12,0	17,0
Cond. mm² min	1,5	1,5	1,5	2,5	2,5	2,5
Cond. mm² max	4,0	4,0	4,0	10,0	10,0	10,0

4 MB 125

**Panel Mounting Socket Outlet**

- Screw terminals
- Straight
- High-temperature-resistant contact carrier
- Box terminals
- Kontex contact
- Nickel plated contacts
- Flange 107 x 100 mm for 63A,  
120 x 120 mm for 125A
- Protection degree IP67

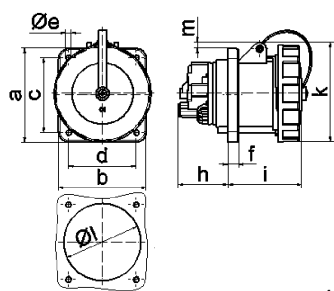
(Form AS)



13067



Ampere	Poles	Order no. Supply no. 5935-12-... VG-type-Nr. VG 96919...	230V 50-60 Hz		400V 50-60 Hz		400V 60 Hz		301-500Hz >50V			9
			3pol 6h	4pol 9h	3pol 9h	4pol 6h	4pol 11h	5pol 11h	3pol 2h	4pol 2h	5pol 2h	
63	3	Order no. 13186 Supply no. 5935-12-... VG-type-Nr. VG 96919...	AS 047						13927 AS 049			500
63	4	Order no. 13924 Supply no. 5935-12-... VG-type-Nr. VG 96919...	AS 030		13839 AS 028		13925 AS 031		13926 AS 032			580
63	5	Order no. 13298* Supply no. 5935-12-... VG-type-Nr. VG 96919...	AS 010		13067* 300-3603 AS 009		13187* AS 011		13188* 321-5243 AS 012			620
125	3	Order no. 13840 Supply no. 5935-12-... VG-type-Nr. VG 96919...	AS 052						13923 AS 054			930
125	4	Order no. 13919 Supply no. 5935-12-... VG-type-Nr. VG 96919...	AS 035		13841 AS 033		13920 AS 036		13921 AS 037			1090
125	5	Order no. 13915 Supply no. 5935-12-... VG-type-Nr. VG 96919...	AS 015		13647 AS 014		13916 AS 016		13918 AS 017			1210



Ampere Poles	63 3	63 4	63 5	125 3	125 4	125 5
a	107,0	107,0	107,0	120,0	120,0	120,0
b	100,0	100,0	100,0	120,0	120,0	120,0
c	85,0	85,0	85,0	100,0	100,0	100,0
d	77,0	77,0	77,0	100,0	100,0	100,0
Øe	6,5	6,5	6,5	6,5	6,5	6,5
f	12,0	12,0	12,0	21,0	21,0	21,0
h	57,0	57,0	57,0	50,0	50,0	50,0
i	77,0	77,0	77,0	117,0	117,0	117,0
k	113,0	113,0	113,0	129,0	129,0	129,0
Øl	88,0	88,0	88,0	104,0	104,0	104,0
m	8,0	8,0	8,0	6,0	6,0	6,0
Cond. mm² min	6,0	6,0	6,0	25,0	25,0	25,0
Cond. mm² max	25,0	25,0	25,0	70,0	70,0	70,0

4 MB 134

- IEC 60309, EN 60309, VDE 0623, VG 96926
- Colour: bronze-green RAL 6031-F9
- \* = Approval according to VG 96919

### Panel Mounting Socket Outlet QUICK-CONNECT

- Screwless terminals
- 20° angled
- Kontex contact
- High-temperature-resistant contact carrier
- Nickel plated contacts
- Flange 85 x 85 mm
- Protection degree IP67

(Form BS)

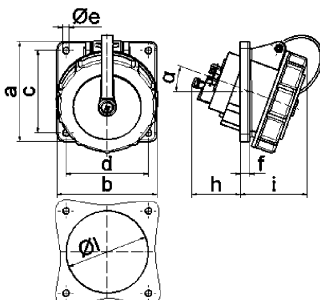
**QUICK CONNECT**



12087



Ampere	Poles	Order no. Supply no. 5935-12-... VG-type-Nr. VG 96919...	230V 50-60 Hz			400V 50-60 Hz			400V 60 Hz			301-500Hz >50V			g
			3pol 6h	4pol 9h	5pol 9h	3pol 9h	4pol 6h	5pol 6h	4pol 11h	5pol 11h	3pol 2h	4pol 2h	5pol 2h	each	
16	3	Order no. 12085* Supply no. 5935-12-... VG-type-Nr. VG 96919...	347-4131									12280	155		
			BS 017									BS 039			
16	4	Order no. 120025 Supply no. 5935-12-... VG-type-Nr. VG 96919...	BS 020	12699	120026	120027							175		
16	5	Order no. 12242* Supply no. 5935-12-... VG-type-Nr. VG 96919...	BS 002	12086*	12235*	12236*							200		
				300-5324	BS 001	BS 003	BS 004								
32	3	Order no. 12169 Supply no. 5935-12-... VG-type-Nr. VG 96919...	BS 042									120029	250		
32	4	Order no. 120030 Supply no. 5935-12-... VG-type-Nr. VG 96919...	BS 025	12700	120031	120032							275		
32	5	Order no. 12340* Supply no. 5935-12-... VG-type-Nr. VG 96919...	BS 006	12087*	12237*	12238*						311-1928	315		
				306-7781	BS 005	BS 007	BS 008								



Ampere Poles	16 3	16 4	16 5	32 3	32 4	32 5
a	85,0	85,0	85,0	85,0	85,0	85,0
b	85,0	85,0	85,0	85,0	85,0	85,0
c	70,0	70,0	70,0	70,0	70,0	70,0
d	70,0	70,0	70,0	70,0	70,0	70,0
Øe	5,5	5,5	5,5	5,5	5,5	5,5
f	8,0	8,0	8,0	8,0	8,0	8,0
h	46,0	46,0	46,0	50,0	50,0	50,0
i	57,0	57,0	60,0	67,0	67,0	67,0
Øl	57,0	65,0	70,0	78,0	78,0	78,0
α	20°	20°	20°	20°	20°	20°
Cond. mm² min	1,5	1,5	1,5	2,5	2,5	2,5
Cond. mm² max	4,0	4,0	4,0	10,0	10,0	10,0

4 MB 124

### Panel Mounting Socket Outlet

- Screw terminals
- Angled
- High-temperature-resistant contact carrier
- Box terminals
- Kontex contact
- Nickel plated contacts
- Flange 114 x 114 mm
- Protection degree IP67

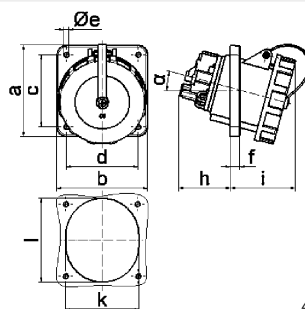
(Form BS)



12088



Ampere	Poles	Order no. Supply no. 5935-12-... VG-type-Nr. VG 96919...	230V 50-60 Hz			400V 50-60 Hz			400V 60 Hz			301-500Hz >50V			g
			3pol 6h	4pol 9h	5pol 9h	3pol 9h	4pol 6h	5pol 6h	4pol 11h	5pol 11h	3pol 2h	4pol 2h	5pol 2h	each	
63	3	Order no. 12239 Supply no. 5935-12-... VG-type-Nr. VG 96919...	BS 047									120034	555		
63	4	Order no. 120035 Supply no. 5935-12-... VG-type-Nr. VG 96919...	BS 030	12953	120036	120037							590		
63	5	Order no. 12341* Supply no. 5935-12-... VG-type-Nr. VG 96919...	BS 010	12088*	12240*	12241*							630		
				347-4133	BS 009	BS 011	BS 012								
125	3	Order no. 12954 Supply no. 5935-12-... VG-type-Nr. VG 96919...	BS 052									120039	905		
125	4	Order no. 120041 Supply no. 5935-12-... VG-type-Nr. VG 96919...	BS 035	12955	120042	120043							965		
125	5	Order no. 12342* Supply no. 5935-12-... VG-type-Nr. VG 96919...	BS 014	12191*	12343*	12264*						347-3942	1045		
				347-4132	BS 013	BS 015	BS 016								



Ampere Poles	63 3	63 4	63 5	125 3	125 4	125 5
a	114,0	114,0	114,0	114,0	114,0	114,0
b	114,0	114,0	114,0	114,0	114,0	114,0
c	90,0	90,0	90,0	90,0	90,0	90,0
d	90,0	90,0	90,0	90,0	90,0	90,0
Øe	5,5	5,5	5,5	6,5	6,5	6,5
f	12,0	12,0	12,0	12,0	12,0	12,0
h	65,0	65,0	65,0	82,0	82,0	82,0
i	82,0	82,0	82,0	90,0	90,0	90,0
k	92,0	92,0	92,0	92,0	92,0	92,0
Øl	92,0	92,0	92,0	105,0	105,0	105,0
m	15°	15°	15°	15°	15°	15°
Cond. mm² min	6,0	6,0	6,0	25,0	25,0	25,0
Cond. mm² max	25,0	25,0	25,0	70,0	70,0	70,0

4 MB 123

**Plug TE-Plus with MULTI-GRIP**

- Screwless terminals
- High-temperature-resistant contact carrier
- Nickel plated contacts
- With protective cap
- Special gland, simultaneous cable gland and seal
- Protection degree IP67

(Form CP)

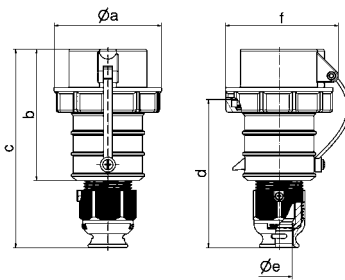
**QUICK CONNECT MULTI GRIP**



Ampere	Poles	Order no. Supply no. 5935-12-... VG-type-Nr. VG 96919...	230V 50-60 Hz	400V 50-60 Hz	400V 60 Hz	301-500Hz >50V	g
			3pol 4pol 5pol 6h 9h 9h	3pol 4pol 5pol 9h 6h 6h	4pol 5pol 11h 11h	3pol 4pol 5pol 2h 2h 2h	
16	3	Order no. Supply no. 5935-12-... VG-type-Nr. VG 96919...	<b>21220*</b> 312-5515 CP 017			<b>210403</b> CP 039	9
16	4	Order no. Supply no. 5935-12-... VG-type-Nr. VG 96919...	<b>210404</b> CP 020	<b>210077</b> CP 018	<b>210405</b> CP 021	<b>210406</b> CP 022	180
16	5	Order no. Supply no. 5935-12-... VG-type-Nr. VG 96919...	<b>21423*</b> CP 002	<b>21208*</b> 300-3599 CP 001	<b>21424*</b> CP 003	<b>21425*</b> CP 004	230
32	3	Order no. Supply no. 5935-12-... VG-type-Nr. VG 96919...	<b>21221</b> CP 042			<b>210408</b> CP 044	265
32	4	Order no. Supply no. 5935-12-... VG-type-Nr. VG 96919...	<b>210409</b> CP 025	<b>210078</b> CP 023	<b>210410</b> CP 026	<b>210411</b> CP 027	340
32	5	Order no. Supply no. 5935-12-... VG-type-Nr. VG 96919...	<b>21426*</b> CP 006	<b>21209*</b> 300-3596 CP 005	<b>21427*</b> 348-5139 CP 007	<b>21380*</b> 312-4197 CP 008	380



21208



2 MB 95

Ampere	16	16	16	32	32	32
Poles	3	4	5	3	4	5
Ø a	70,0	78,0	86,0	94,0	94,0	101,0
b	103,5	104,0	105,5	127,0	127,0	129,5
c	153,5	154,0	160,5	187,0	187,0	193,5
d	111,0	111,0	119,0	136,0	136,0	138,5
Ø e	18,0	18,0	21,0	23,5	23,5	27,0
f	75,5	82,5	91,0	96,5	96,5	104,5
Cond. mm² min	1,0	1,0	1,0	2,5	2,5	2,5
Cond. mm² max	2,5	2,5	2,5	6,0	6,0	6,0

**Plug TE with MULTI-GRIP**

- Screw terminals
- High-temperature-resistant contact carrier
- Box terminals
- Nickel plated contacts
- Special gland, simultaneous cable gland and seal
- With protective cap
- Screwless enclosure connection, self locking
- Protection degree IP67

(Form CP)

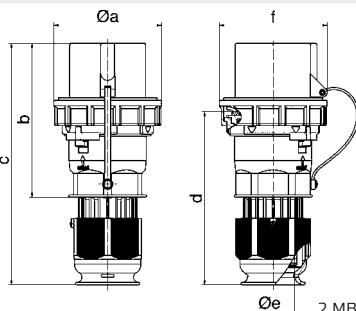
**MULTI GRIP**



Ampere	Poles	Order no. Supply no. 5935-12-... VG-type-Nr. VG 96919...	230V 50-60 Hz	400V 50-60 Hz	400V 60 Hz	301-500Hz >50V	g
			3pol 4pol 5pol 6h 9h 9h	3pol 4pol 5pol 9h 6h 6h	4pol 5pol 11h 11h	3pol 4pol 5pol 2h 2h 2h	
63	3	Order no. Supply no. 5935-12-... VG-type-Nr. VG 96919...	<b>210256</b> CP 047			<b>210413</b> CP 049	695
63	4	Order no. Supply no. 5935-12-... VG-type-Nr. VG 96919...	<b>210414</b> CP 000	<b>210263</b> CP 028	<b>210415</b> CP 031	<b>210417</b> CP 032	755
63	5	Order no. Supply no. 5935-12-... VG-type-Nr. VG 96919...	<b>21428*</b> CP 010	<b>21210*</b> 300-5325 CP 009	<b>21429*</b> CP 0011	<b>21430*</b> CP 012	815
125	3	Order no. Supply no. 5935-12-... VG-type-Nr. VG 96919...	<b>210264</b> CP 052			<b>210419</b> CP 054	1115
125	4	Order no. Supply no. 5935-12-... VG-type-Nr. VG 96919...	<b>210421</b> CP 035	<b>210265</b> CP 033	<b>210422</b> CP 036	<b>210423</b> CP 037	1220
125	5	Order no. Supply no. 5935-12-... VG-type-Nr. VG 96919...	<b>21431*</b> CP 014	<b>21033*</b> 327-8595 CP 013	<b>21432*</b> CP 015	<b>21433*</b> CP 016	1330



21210



2 MB 107

Ampere	63	63	63	125	125	125
Poles	3	4	5	3	4	5
Ø a	113,5	113,5	113,5	126,0	126,0	126,0
b	169,0	169,0	169,0	185,0	185,0	185,0
c	250,0	250,0	250,0	286,0	286,0	286,0
d	171,0	171,0	171,0	206,0	206,0	206,0
Ø e	36,0	36,0	36,0	50,0	50,0	50,0
f	112,5	112,5	112,5	125,0	125,0	125,0
Cond. mm² min	6,0	6,0	6,0	16,0	16,0	16,0
Cond. mm² max	25,0	25,0	25,0	50,0	50,0	50,0

- IEC 60309, EN 60309, VDE 0623, VG 96926
- Colour: bronze-green RAL 6031-F9
- \* = Approval according to VG 96919

### Appliance Inlet with Flange

- Screw terminals
- High-temperature-resistant contact carrier
- Nickel plated contacts
- With protective cap
- Flange 85 x 85 mm
- Protection degree IP67

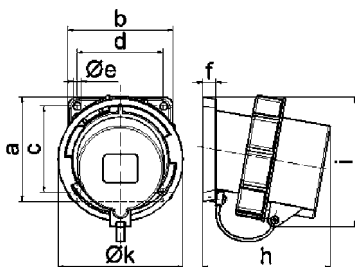
(Form BP)



Ampere	Poles	Order no. Supply no. 5935-12-... VG-type-Nr. VG 96919...	230V 50-60 Hz			400V 50-60 Hz			400V 60 Hz			301-500Hz >50V			g
			3pol 6h	4pol 9h	5pol 9h	3pol 9h	4pol 6h	5pol 6h	4pol 11h	5pol 11h	3pol 2h	4pol 2h	5pol 2h	each	
16	3	Order no. <b>27046*</b> Supply no. 5935-12-... VG-type-Nr. VG 96919...	319-7028 BP 013									<b>27286</b> BP 039	205		
16	4	Order no. <b>27287</b> Supply no. 5935-12-... VG-type-Nr. VG 96919...	BP 020	<b>27204</b> BP 018	<b>27288</b> BP 021	<b>27289</b> BP 022							230		
16	5	Order no. <b>27104*</b> Supply no. 5935-12-... VG-type-Nr. VG 96919...	BP 002	<b>2702*</b> 300-3598 BP 001	<b>27105*</b> BP 003	<b>27106*</b> BP 004							260		
32	3	Order no. <b>2745</b> Supply no. 5935-12-... VG-type-Nr. VG 96919...	BP 042			<b>27291</b> BP 044							305		
32	4	Order no. <b>27292</b> Supply no. 5935-12-... VG-type-Nr. VG 96919...	BP 025	<b>27201</b> BP 023	<b>27293</b> BP 026	<b>27294</b> BP 027							330		
32	5	Order no. <b>27107*</b> Supply no. 5935-12-... VG-type-Nr. VG 96919...	BP 006	<b>2703*</b> 188-9997 BP 005	<b>27108*</b> BP 007	<b>27043*</b> 312-4197 BP 008							365		



2703



Ampere	16	16	16	32	32	32
Poles	3	4	5	3	4	5
a	85,0	85,0	85,0	85,0	85,0	85,0
b	85,0	85,0	85,0	85,0	85,0	85,0
c	70,0	70,0	70,0	70,0	70,0	70,0
d	70,0	70,0	70,0	70,0	70,0	70,0
Ø e	6,3	6,3	6,3	6,3	6,3	6,3
f	11,0	11,0	11,0	11,0	11,0	11,0
h	94,0	94,0	94,0	105,0	105,0	105,0
i	94,0	97,0	101,0	103,0	103,0	107,0
k	70,5	78,5	86,5	94,0	94,0	101,5
Cond. mm² min	1,0	1,0	1,0	2,5	2,5	2,5
Cond. mm² max	2,5	2,5	2,5	6,0	6,0	6,0

5 MB 31

### Appliance Inlet with Flange

- Screw terminals
- High-temperature-resistant contact carrier
- Box terminals
- Nickel plated contacts
- With protective cap
- Flange 107 x 100 mm for 63A, 130 x 120 mm for 125A
- Protection degree IP67

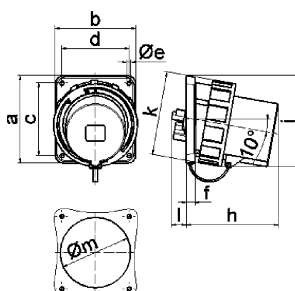
(Form BP)



Ampere	Poles	Order no. Supply no. 5935-12-... VG-type-Nr. VG 96919...	230V 50-60 Hz			400V 50-60 Hz			400V 60 Hz			301-500Hz >50V			g
			3pol 6h	4pol 9h	5pol 9h	3pol 9h	4pol 6h	5pol 6h	4pol 11h	5pol 11h	3pol 2h	4pol 2h	5pol 2h	each	
63	3	Order no. <b>27267</b> Supply no. 5935-12-... VG-type-Nr. VG 96919...	BP 047								<b>27295</b> BP 049		630		
63	4	Order no. <b>27296</b> Supply no. 5935-12-... VG-type-Nr. VG 96919...	BP 030	<b>27268</b> BP 028	<b>27297</b> BP 031	<b>27298</b> BP 032							695		
63	5	Order no. <b>27109*</b> Supply no. 5935-12-... VG-type-Nr. VG 96919...	BP 010	<b>2704*</b> BP 009	<b>27110*</b> BP 011	<b>27045*</b> BP 012							750		
125	3	Order no. <b>27269</b> Supply no. 5935-12-... VG-type-Nr. VG 96919...	BP 052			<b>27299</b> BP 054							1010		
125	4	Order no. <b>27300</b> Supply no. 5935-12-... VG-type-Nr. VG 96919...	BP 035	<b>27270</b> BP 033	<b>27301</b> BP 036	<b>27302</b> BP 037							1125		
125	5	Order no. <b>27303</b> Supply no. 5935-12-... VG-type-Nr. VG 96919...	BP 015	<b>27102</b> 300-5323 BP 014	<b>27304</b> BP 016	<b>27305</b> 321-5242 BP 017							1220		



2704



Ampere	63	63	63	125	125	125
Poles	3	4	5	3	4	5
a	107,0	107,0	107,0	130,0	130,0	130,0
b	100,0	100,0	100,0	120,0	120,0	120,0
c	85,0	85,0	85,0	108,0	108,0	108,0
d	77,0	77,0	77,0	100,0	100,0	100,0
Ø e	6,5	6,5	6,5	6,5	6,5	6,5
f	12,0	12,0	12,0	13,0	13,0	13,0
h	142,0	142,0	142,0	134,0	134,0	134,0
i	124,0	124,0	124,0	138,0	138,0	138,0
k	113,5	113,5	113,5	126,0	126,0	126,0
l	-	-	-	23,0	23,0	23,0
Ø m	-	-	-	105,0	105,0	105,0
Cond. mm² min	6,0	6,0	6,0	16,0	16,0	16,0
Cond. mm² max	16,0	16,0	16,0	50,0	50,0	50,0

5 MB 100

**Appliance Inlet with Flange**

- Screw terminals
- High-temperature-resistant contact carrier
- Nickel plated contacts
- With protective cap
- Flange 85 x 85 mm
- Protection degree IP67

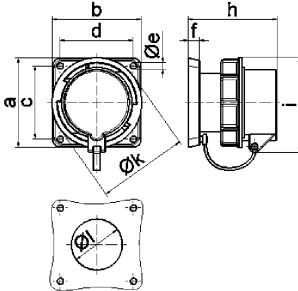
(Form AP)



2897



Ampere	Poles	Order no. Supply no. 5935-12-... VG-type-Nr. VG 96919...	230V 50-60 Hz		400V 50-60 Hz		400V 60 Hz		301-500Hz >50V			g
			3pol 6h	4pol 9h	3pol 9h	4pol 6h	5pol 6h	4pol 11h	5pol 11h	3pol 2h	4pol 2h	
16	3	Order no. 2892 Supply no. 5935-12-... VG-type-Nr. VG 96919...	AP 037		2893		2894					210
16	4	Order no. 2893 Supply no. 5935-12-... VG-type-Nr. VG 96919...			AP 017		2894					
16	5	Order no. 2894 Supply no. 5935-12-... VG-type-Nr. VG 96919...					AP 001					259
32	3	Order no. 2895 Supply no. 5935-12-... VG-type-Nr. VG 96919...	AP 042		2896		2897					302
32	4	Order no. 2896 Supply no. 5935-12-... VG-type-Nr. VG 96919...			AP 022		2897					
32	5	Order no. 2897 Supply no. 5935-12-... VG-type-Nr. VG 96919...					AP 005					360



Ampere Poles	16 3	16 4	16 5	32 3	32 4	32 5
a	85,0	85,0	85,0	85,0	85,0	85,0
b	85,0	85,0	85,0	85,0	85,0	85,0
c	70,0	70,0	70,0	70,0	70,0	70,0
d	70,0	70,0	70,0	70,0	70,0	70,0
Ø e	6,3	6,3	6,3	6,3	6,3	6,3
f	11,0	11,0	11,0	11,0	11,0	11,0
h	84,0	84,0	85,0	94,0	94,0	94,0
i	82,5	86,0	91,0	96,5	96,05	104,0
Ø k	70,5	78,5	86,5	94,0	94,0	101,5
Ø l	49,0	49,0	49,0	49,0	49,0	49,0
Cond. mm² min	1,0	1,0	1,0	2,5	2,5	2,5
Cond. mm² max	2,5	2,5	2,5	6,0	6,0	6,0

5 MB 73

**Appliance Inlet with flange**

- Screw terminals
- High-temperature-resistant contact carrier
- Box terminals
- Nickel plated contacts
- With protective cap
- Flange 110 x 106 mm for 63A, flange 120 x 120 mm for 125A
- Protection degree IP67

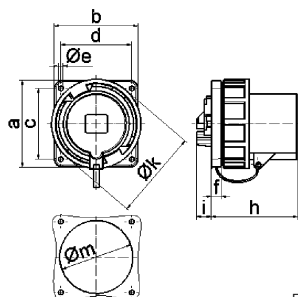
(Form AP)



2853



Ampere	Poles	Order no. Supply no. 5935-12-... VG-type-Nr. VG 96919...	230V 50-60 Hz		400V 50-60 Hz		400V 60 Hz		301-500Hz >50V			g
			3pol 6h	4pol 9h	3pol 9h	4pol 6h	5pol 6h	4pol 11h	5pol 11h	3pol 2h	4pol 2h	
63	3	Order no. 28042 Supply no. 5935-12-... VG-type-Nr. VG 96919...	AP 047		28000		28043					725
63	4	Order no. 28000 Supply no. 5935-12-... VG-type-Nr. VG 96919...			AP 027		28043					
63	5	Order no. 28043 Supply no. 5935-12-... VG-type-Nr. VG 96919...					AP 009					
125	3	Order no. 28043 Supply no. 5935-12-... VG-type-Nr. VG 96919...	AP 052		28044		28045					
125	4	Order no. 28044 Supply no. 5935-12-... VG-type-Nr. VG 96919...			AP 032		28045					
125	5	Order no. 28045 Supply no. 5935-12-... VG-type-Nr. VG 96919...					AP 013					



Ampere Poles	63 3	63 4	63 5	125 3	125 4	125 5
a	110,0	110,0	110,0	120,0	120,0	120,0
b	106,0	106,0	106,0	120,0	120,0	120,0
c	90,0	90,0	90,0	100,0	100,0	100,0
d	90,0	90,0	90,0	100,0	100,0	100,0
Ø e	5,5	5,5	5,5	6,5	6,5	6,5
f	13,0	13,0	13,0	13,0	13,0	13,0
h	114,0	114,0	114,0	121,0	121,0	121,0
i	19,0	19,0	19,0	20,0	20,0	20,0
Ø k	113,5	113,5	113,5	126,0	126,0	126,0
Ø m	93,0	93,0	93,0	104,0	104,0	104,0
Cond. mm² min	6,0	6,0	6,0	16,0	16,0	16,0
Cond. mm² max	16,0	16,0	16,0	50,0	50,0	50,0

5 MB 101



**Connector TE-Plus with MULTI-GRIP**

- Screwless terminals
- Kontex contact
- High-temperature-resistant contact carrier
- Nickel plated contacts
- Special gland, simultaneous cable gland and seal
- Protection degree IP67

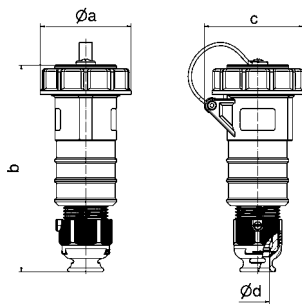
(Form DS)

**QUICK CONNECT MULTI GRIP**



3151

			230V 50-60 Hz			400V 50-60 Hz			400V 60 Hz			301-500Hz >50V			9
			3pol 6h	4pol 9h	5pol 9h	3pol 9h	4pol 6h	5pol 6h	4pol 11h	5pol 11h	3pol 2h	4pol 2h	5pol 2h	each	
16	3	Order no. Supply no. 5935-12-... VG-type-Nr. VG 96919...	<b>31162*</b> 312-5516 DS 017									<b>310163</b> DS 039			180
16	4	Order no. Supply no. 5935-12-... VG-type-Nr. VG 96919...	<b>310165</b> DS 020			<b>31865</b> DS 018			<b>310167</b> DS 021			<b>310168</b> DS 022			215
16	5	Order no. Supply no. 5935-12-... VG-type-Nr. VG 96919...	<b>31318*</b> DS 002			<b>31150*</b> DS 001			<b>31319*</b> DS 003			<b>31320*</b> DS 004			255
32	3	Order no. Supply no. 5935-12-... VG-type-Nr. VG 96919...	<b>31032</b> DS 042									<b>310194</b> DS 044			325
32	4	Order no. Supply no. 5935-12-... VG-type-Nr. VG 96919...	<b>310169</b> DS 025			<b>31866</b> DS 023			<b>310171</b> DS 026			<b>310172</b> DS 027			355
32	5	Order no. Supply no. 5935-12-... VG-type-Nr. VG 96919...	<b>31321*</b> DS 006			<b>31151*</b> 300-3597 DS 005			<b>31322*</b> DS 007			<b>31323*</b> 312-4196 DS 008			410



Ampere Poles	16 3	16 4	16 5	32 3	32 4	32 5
Ø a	70,5	78,0	86,5	94,0	94,0	101,5
b	161,0	161,0	168,0	196,0	196,0	200,0
c	77,0	83,0	93,0	99,0	99,0	107,0
Ø d	18,0	18,0	21,0	23,0	23,0	27,0
Cond. mm² min	1,0	1,0	1,0	2,5	2,5	2,5
Cond. mm² max	2,5	2,5	2,5	6,0	6,0	6,0

3 MB 70

**Connector with MULTI-GRIP**

- Screw terminals
- High-temperature-resistant contact carrier
- Box terminals
- Kontex contact
- Nickel plated contacts
- Special gland, simultaneous cable gland and seal
- Screwless enclosure connection, self locking
- Protection degree IP67

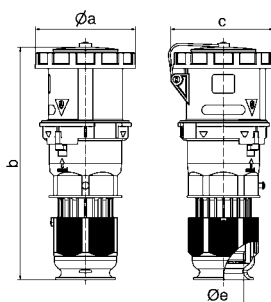
(Form DS)

**MULTI GRIP**



31152

			230V 50-60 Hz			400V 50-60 Hz			400V 60 Hz			301-500Hz >50V			9
			3pol 6h	4pol 9h	5pol 9h	3pol 9h	4pol 6h	5pol 6h	4pol 11h	5pol 11h	3pol 2h	4pol 2h	5pol 2h	each	
63	3	Order no. Supply no. 5935-12-... VG-type-Nr. VG 96919...	<b>310058</b> DS 047									<b>310177</b> DS 049			760
63	4	Order no. Supply no. 5935-12-... VG-type-Nr. VG 96919...	<b>310174</b> DS 030			<b>31877</b> DS 028			<b>310175</b> DS 031			<b>310176</b> DS 032			770
63	5	Order no. Supply no. 5935-12-... VG-type-Nr. VG 96919...	<b>31324*</b> DS 010			<b>31152*</b> 300-5326 DS 009			<b>31325*</b> DS 011			<b>31326*</b> DS 012			785
125	3	Order no. Supply no. 5935-12-... VG-type-Nr. VG 96919...	<b>310059</b> DS 052									<b>310179</b> DS 054			1160
125	4	Order no. Supply no. 5935-12-... VG-type-Nr. VG 96919...	<b>310180</b> DS 035			<b>310060</b> DS 033			<b>310182</b> DS 036			<b>310183</b> DS 037			1255
125	5	Order no. Supply no. 5935-12-... VG-type-Nr. VG 96919...	<b>31327*</b> DS 014			<b>31027*</b> 322-8597 DS 013			<b>31328*</b> DS 015			<b>31329*</b> DS 016			1350



Ampere Poles	63 3	63 4	63 5	125 3	125 4	125 5
Ø a	110,0	110,0	110,0	125,0	125,0	125,0
b	263,0	263,0	263,0	300,0	300,0	300,0
c	113,0	113,0	113,0	128,0	128,0	128,0
Ø d	36,0	36,0	36,0	50,0	50,0	50,0
Cond. mm² min	6,0	6,0	6,0	16,0	16,0	16,0
Cond. mm² max	16,0	16,0	16,0	50,0	50,0	50,0

3 MB 125

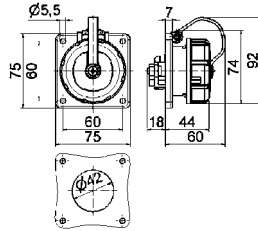
**Domestic Panel Mounting Socket Outlet**

- Screw terminals
- Nickel plated contacts
- 16A/230 V~
- Flange 75 x 75 mm
- Protection degree IP68

(Form AS)



7108



18 MB 19

	Ref. no.	Supply no.	VG-type-Nr.
		5935-12-...	VG 96926...

german system	<b>7108*</b>	312-5115	AS 001
belg./ french system	<b>7185</b>		

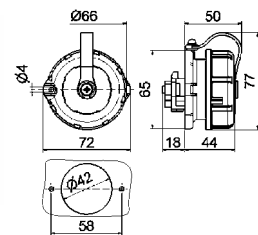
**Domestic Panel Mounting Socket Outlet**

- Screw terminals
- Nickel plated contacts
- 16A/230 V~
- Protection degree IP68

(Form BS)



7115



18 MB 21

	Ref. no.	Supply no.	VG-type-Nr.
		5935-12-...	VG 96926...

german system	<b>7115*</b>	314-4770	BS 001
belg./ french system	<b>7186</b>		

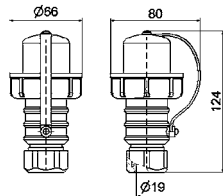
**Domestic Plug**

- Screw terminals
- Nickel plated contacts
- 16A/230 V~
- With closure cap
- Protection degree IP68

(Form CP)



735



18 MB 18

	Ref. no.	Supply no.	VG-type-Nr.
		5935-12-...	VG 96926...

	<b>735*</b>	141-3149	CP 001

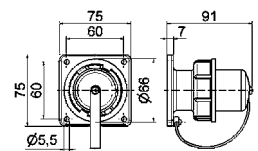
**Domestic Appliance Inlet with Flange**

- Screw terminals
- Nickel plated contacts
- 16A/230 V~
- With closure cap
- Flange 75 x 75 mm
- Protection degree IP68

(Form AP)



753



18 MB 16

	Ref. no.	Supply no.	VG-type-Nr.
		5935-12-...	VG 96926...

	<b>753*</b>	340-7272	AP 001

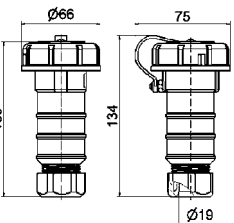
**Domestic Connector**

- Screw terminals
- Nickel plated contacts
- 16A/230 V~
- Protection degree IP68

(Form DS)



745



18 MB 26

	Ref. no.	Supply no.	VG-type-Nr.
		5935-12-...	VG 96926...

german system	<b>745*</b>	314-4771	DS 001
belg./ french system	<b>7424</b>		

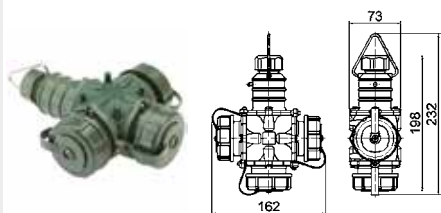


Technical information

- IEC 60309, EN 60309, VDE 0623, VG 96926
- Colour: bronze-green RAL 6031-F9
- \* = Approval according to VG 96919

**Domestic Three-way Connector**

- Screw terminals
- Nickel plated contacts
- 16A/230 V~
- With closure cap, hanging bracket, cable gland
- Protection degree IP68



7400

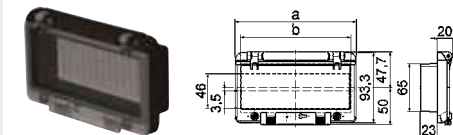
18 MB 27

Ref. no. Supply no. VG-type-Nr.  
5935-12... VG 96926...

german system	<b>7400</b>
belg./ french system	<b>7423</b>

**Hinged Window**

- Self-closing
- With touch protection
- With option for lock set



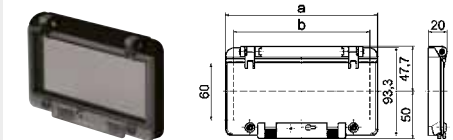
58110

30 MB 96

Module units	Dimension a	Dimension b	Ref. no.
2	55,0	40,5	<b>580138</b>
4	91,0	76,5	<b>58388</b>
6	127,0	112,5	<b>58590</b>
8	162,0	147,5	<b>58110</b>
12	234,0	220,0	<b>58111</b>
13	257,5	248,5	<b>58387</b>

**Hinged Window**

- Self-closing
- Without touch protection
- With option for lock set



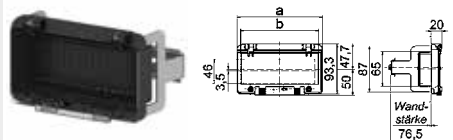
58502

30 MB 95

Module units	Dimension a	Dimension b	Ref. no.
2	55,0	37,0	<b>58511</b>
4	91,0	73,0	<b>580020</b>
6	127,0	109,0	<b>58503</b>
8	162,0	144,5	<b>58502</b>
12	234,0	217,0	<b>58602</b>
13	257,5	240,0	<b>58607</b>

**Hinged Window**

- Self-closing
- With touch protection
- With option for lock set
- With mounting bracket



580143

30 MB 97

Module units	Dimension a	Dimension b	Ref. no.
2	55,0	40,5	<b>580137</b>
4	91,0	76,5	<b>58517</b>
6	127,0	112,5	<b>580141</b>
8	162,0	147,5	<b>580143</b>
12	234,0	220,0	<b>580144</b>
13	257,5	248,5	<b>580145</b>

**Closure Cap**

- for domestic plug
- Form H



8320

Ref. no. VG-Typ-Nr.  
**8320\*** H-16

**Closure Cap**

- für domestic connector
- Form G



8319

Ref. no. VG-type-Nr.  
**8319\*** G-16

**Closure Cap with Strap**

- for CEE plugs



8337

Ampere / Poles	Ref. no.	Supply no. 5935-12-...	VG-type-Nr. VG 96926...
16A / 3p	<b>8335</b>		
16A / 4p	<b>8336</b>		
16A / 5p	<b>8337</b>		
32A / 3p, 4p	<b>8338</b>		
32A / 5p	<b>8339</b>		
63A / 3p, 4p, 5p	<b>8340</b>		
125A / 3p, 4p, 5p	<b>8341</b>		

**Closure Cap with Strap**

- for CEE connector  
 - for CEE Panel Mounting Socket  
 Outlet



8330

Ampere / Poles	Ref. no.	Supply no. 5935-12-...	VG-type-Nr. VG 96926...
16A / 3p	<b>8328</b>		
16A / 4p	<b>8329</b>		
16A / 5p	<b>8330</b>		
32A / 3p, 4p	<b>8331</b>		
32A / 5p	<b>8332</b>		
63A / 3p, 4p, 5p	<b>8333</b>		
125A / 3p, 4p, 5p	<b>8334</b>		

**Closure Cap**

- for CEE plugs  
 - Form G



8326

Ampere / Poles	Ref. no.	Supply no. 5935-12-...	VG-type-Nr. VG 96926...
16A / 3p	<b>8318*</b>		G-16-3
16A / 4p	<b>8326</b>		G-16-4
16A / 5p	<b>8314*</b>		G-16-5
32A / 3p, 4p	<b>8327</b>		G-32-4
32A / 5p	<b>8315*</b>	304-8143	G-32-5
63A / 3p, 4p, 5p	<b>8316*</b>		G-63-5
125A / 3p, 4p, 5p	<b>8317*</b>		G-125-5

**Closure Cap**

- for CEE connector  
 - Form F



8309

Ampere / Poles	Ref. no.	Supply no. 5935-12-...	VG-type-Nr. VG 96926...
16A / 3p	<b>8313*</b>		F-16-3
16A / 4p	<b>8324</b>		F-16-4
16A / 5p	<b>8309*</b>		F-16-5
32A / 3p, 4p	<b>8325</b>		F-32-4
32A / 5p	<b>8310*</b>		F-32-5
63A / 3p, 4p, 5p	<b>8311*</b>		F-63-5
125A / 3p, 4p, 5p	<b>8312*</b>		F-125-5



 made  
 in  
 Germany



Simply. Well. Connected.

Bals Elektrotechnik GmbH & Co. KG  
D-57399 Kirchhundem-Albaum  
Phone: +49 27 23/771-0  
Fax: +49 27 23/771-177/178  
E-mail: [info@bals.com](mailto:info@bals.com)  
Internet: [www.bals.com](http://www.bals.com)

Subject to technical modifications and typographical errors