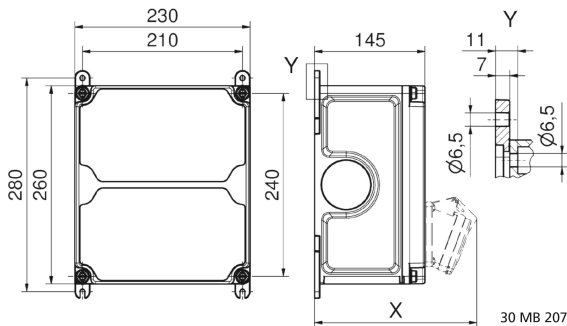




| Product description | |
|---------------------|------------------------|
| BALS-Prd.-Nr | 896400 |
| EAN | 4024941979900 |
| product group | null |
| Specification/Norm | null |
| protection degree | IP44 |
| Colour of appliance | null, Housing top grey |
| Height | 260mm |
| Width | 230mm |
| Depth | 145mm |
| RDF factor | 1 |

| Product description | |
|---------------------|----|
| Nominal current InA | 16 |

| Logistics data | |
|----------------|------------------|
| Weight/pcs | 3.176 kg / Piece |
| Packaging | Carton |
| Content amount | 1 ST |
| EAN | 4024941979900 |
| Length | 300 mm |
| Width | 270 mm |
| Height | 255 mm |
| Weight | 3.412 kg |
| Volume | 20,655 ccm |


Tiefenmaß/ depth X (mm)

| Bezeichnung/ with | IP44 | IP67 |
|------------------------------------|------|------|
| OTC-Klappe/ OTC operating window | 180 | 180 |
| Schutzk. Steckdose/domestic socket | 162 | 205 |
| CEE 16A 3p | 200 | 200 |
| CEE 16A 4p | 204 | 202 |
| CEE 16A 5p | 207 | 205 |
| CEE 32A 3p/4p | 211 | 213 |
| CEE 32A 5p | 213 | 214 |
| CEE 63A 3p/4p/5p | 229 | 231 |