

wall mounting socket outlet, switched, interlocked - housing dimensions 170x90



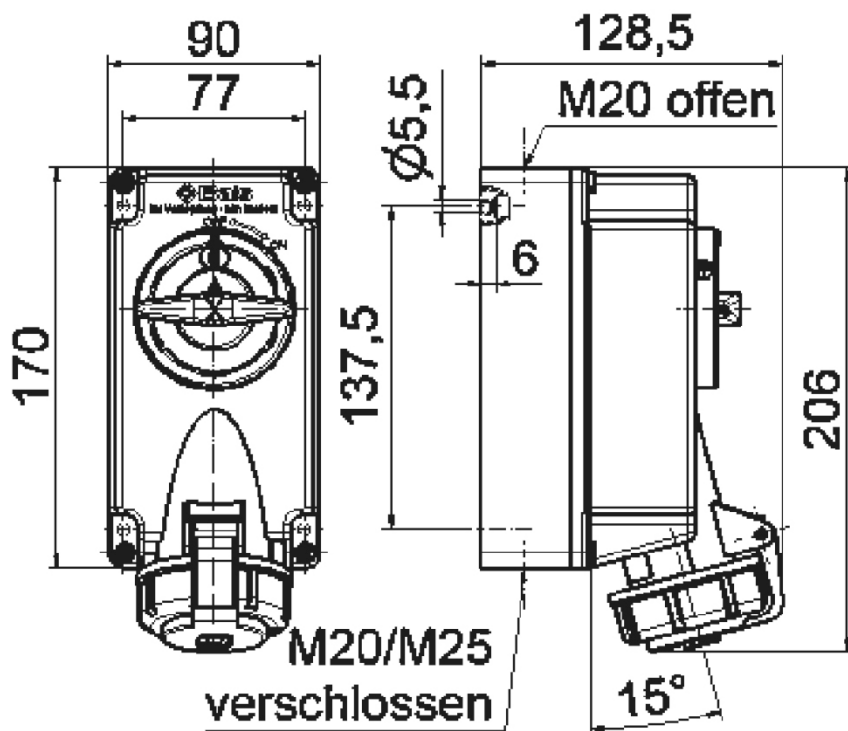
Product description	
BALS-Prd.-Nr	76100
EAN	4024941761000
product category	schuko-type wall mounting socket outlet switched interlocked
current	16A
number of poles	3p
number of poles	2P+PE
voltage	250V
frequency	alternating current (AC)

Product description	
protection degree	IP67
colour code	blue RAL 5015
Colour of appliance	Hinged lid blue, Bayonet ring grey, Housing bottom grey, Housing top grey
connection design	head-screw terminal
maximum conductor size	4,0 qmm
cable entry	top entry M20, bottom entry M25/20
Height	170mm
Width	90mm
Depth	128.5mm
dimension of enclosure	170x90 mm (HxW)
material of enclosure	Polycarbonate
contact	The contact carrier is made of high temperature resistant material, the contacts are brass nickel plated

Additional technical information	
	Lower part of housing rotatable by 180°

Logistics data	
Weight/pcs	0.62 kg / Piece
Packaging	Carton
Content amount	1 ST
EAN	4024941761000

Logistics data	
Length	207 mm
Width	162 mm
Height	142 mm
Weight	0.72 kg
Volume	3,750 ccm



18 MB 61