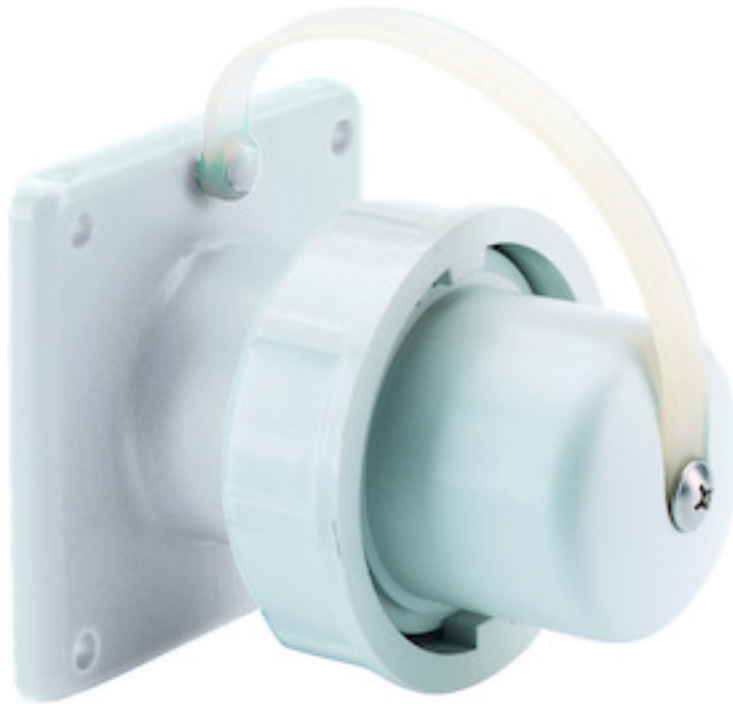


panel mounting appliance inlet - flange 75x75, with closure cap

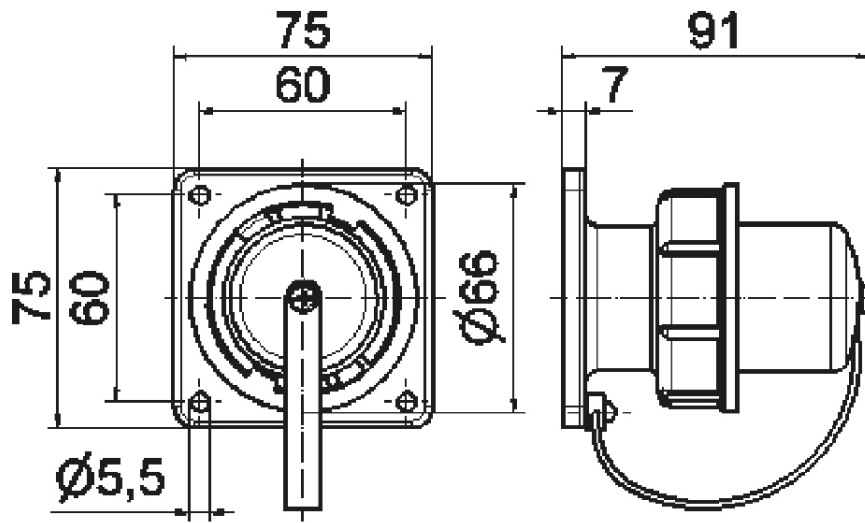


Product description	
BALS-Prd.-Nr	755
EAN	4024941007559
product category	domestic-type panel mounting appliance inlet, straight
current	16A
number of poles	3p
number of poles	2P+PE
voltage	250V
frequency	alternating current (AC)

Product description	
protection degree	IP67
colour code	gray RAL 7035
Colour of appliance	Enclosure grey
connection design	screw terminal
maximum conductor size	4,0 qmm
cable entry	null
Height	75mm
Width	75mm
Depth	91mm
Flange size vertical	75mm
Flange size horizontal	75mm
Drill hole distance vertical	60mm
Drill hole distance horizontal	60mm
material of enclosure	Polyamide
contact	The contact carrier is made of high temperature resistant material, the contacts are brass nickel plated

Additional technical information	
	also suitable for Belgian/French standard
	With hammer symbol
	With closure cap

Logistics data	
Weight/pcs	0.026 kg / Piece
Packaging	Bag
Content amount	1 ST
EAN	4024941007559
Length	91 mm
Width	75 mm
Height	75 mm
Weight	0.027 kg
Volume	511.875 ccm
Packaging	Carton
Content amount	10 ST
EAN	4024941835800
Length	245 mm
Width	177 mm
Height	185 mm
Weight	0.393 kg
Volume	7,140 ccm



18 MB 16