

## three way connector - with cable sleeve, with suspension clip



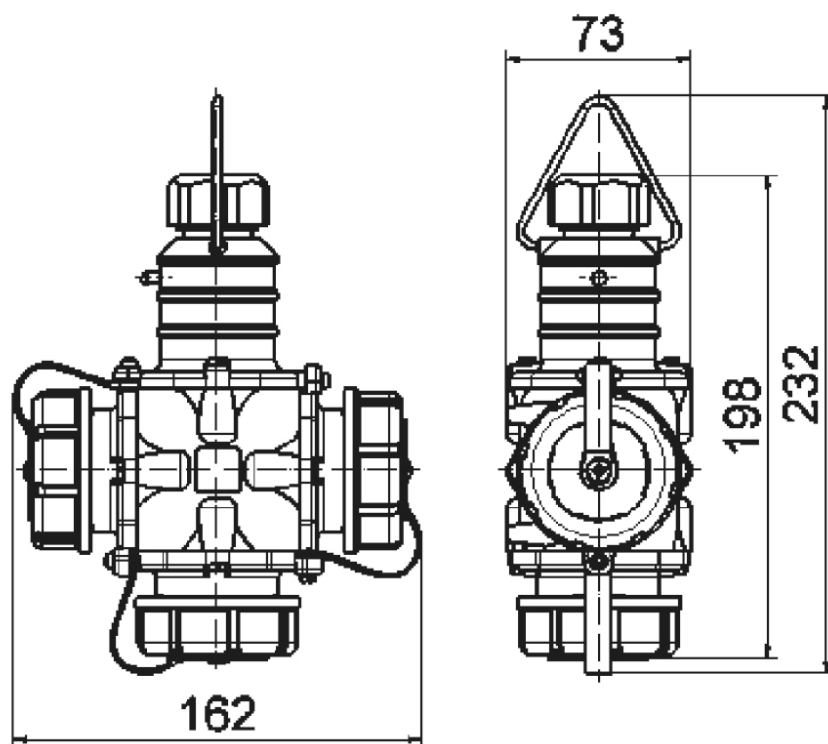
Product description	
BALS-Prd.-Nr	749
EAN	4024941007498
product category	three-way domestic connector
current	16A
number of poles	3p
number of poles	2P+PE
voltage	250V
frequency	alternating current (AC)

Product description	
protection degree	IP67
colour code	blue RAL 5015
Colour of appliance	blue
connection design	head-screw terminal
maximum conductor size	2,5 qmm
cable entry	Cable gland
Height	232mm
Width	162mm
Depth	73mm
material of enclosure	Polyamide
contact	The contact carrier is made of high temperature resistant material, the contacts are brass nickel plated

Additional technical information	
	For cable diameter up to max. 14,0 mm, With cable gland, With hammer symbol
	With bayonet cover on strap

Logistics data	
Weight/pcs	0.62 kg / Piece
Packaging	Bag
Content amount	1 ST
EAN	4024941007498

Logistics data	
Length	73 mm
Width	162 mm
Height	232 mm
Weight	0.621 kg
Volume	2,743.632 ccm
Packaging	Carton
Content amount	2 ST
EAN	4024941835848
Length	275 mm
Width	175 mm
Height	137 mm
Weight	1.365 kg
Volume	5,737.5 ccm



18 MB 27