

connector schuko-type - with hinged lid, System F German standard



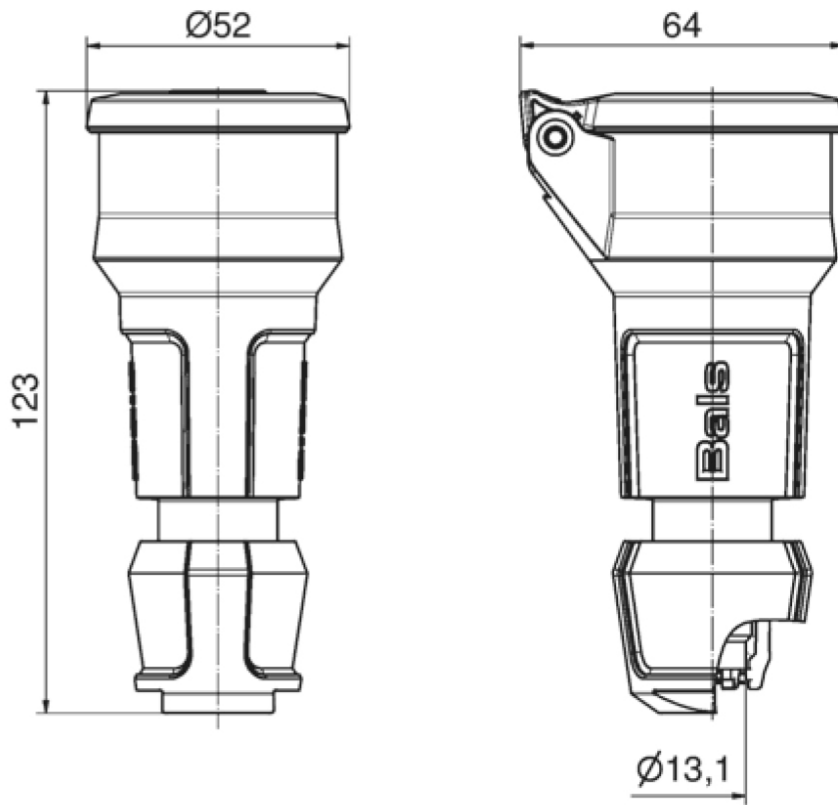
| Product description | |
|---------------------|--------------------------|
| BALS-Prd.-Nr | 7487 |
| EAN | 4024941852425 |
| Product category | Domestic connector |
| Current | 16A |
| Number of poles | 3p |
| Number of poles | 2P+PE |
| Voltage | 250V |
| Frequency | alternating current (AC) |

| Product description | |
|------------------------|---|
| Protection degree | IP54 |
| Colour code | gray RAL 7035 |
| Colour of appliance | Collar black RAL 9005, Hinged lid black RAL 9005, Housing cover grey RAL 7035, Cable gland black RAL 9005 |
| Connection design | head-screw terminal |
| Maximum conductor size | 4,0 qmm |
| Cable entry | Cable gland |
| Height | 123mm |
| Width | 52mm |
| Depth | 64mm |
| Material of enclosure | Polyamide |
| Contact | The contact carrier is made of polyamide, the contacts are brass nickel plated |

| Additional technical information | |
|----------------------------------|---|
| | Multi-Grip cable gland with gasket and integrated strain relief |
| | With self-closing hinged lid |

| Logistics data | |
|----------------|-----------------|
| Weight/pcs | 0.08 kg / Piece |
| Packaging | Bag |
| Content amount | 1 ST |

| Logistics data | |
|----------------|---------------|
| EAN | 4024941852425 |
| Length | 64 mm |
| Width | 52 mm |
| Height | 123 mm |
| Weight | 0.081 kg |
| Volume | 409.344 ccm |
| Packaging | Carton |
| Content amount | 20 ST |
| EAN | 4024941323659 |
| Length | 245 mm |
| Width | 177 mm |
| Height | 185 mm |
| Weight | 1.733 kg |
| Volume | 7,140 ccm |



18 MB 120

