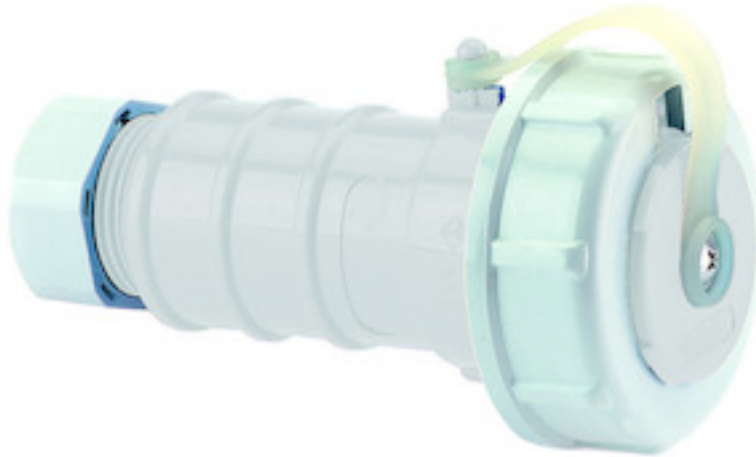


connector schuko-type - with cable gland, with bayonet cover



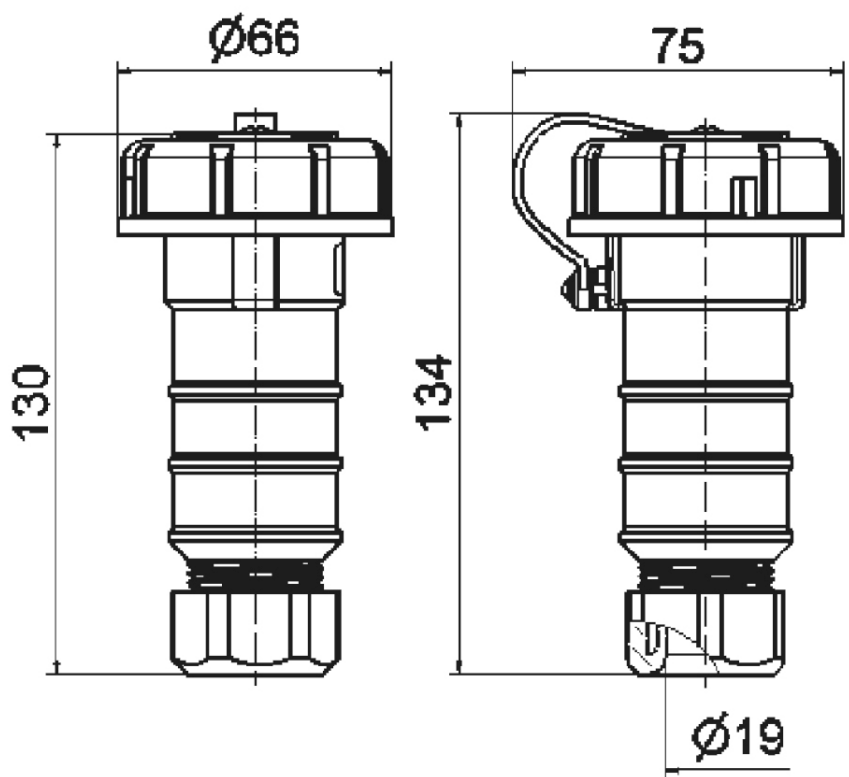
Product description	
BALS-Prd.-Nr	747
EAN	4024941007474
product category	Domestic connector
current	16A
number of poles	3p
number of poles	2P+PE
voltage	250V
frequency	alternating current (AC)

Product description	
protection degree	IP68
colour code	gray RAL 7035
Colour of appliance	Hinged lid grey, Bayonet ring grey, Cable gland grey, Enclosure grey
connection design	head-screw terminal
maximum conductor size	2,5 qmm
cable entry	Cable gland
Height	130mm
Width	66mm
Depth	75mm
material of enclosure	Polyamide
contact	The contact carrier is made of polyamide, the contacts are brass nickel plated

Additional technical information	
	For cable diameter up to max. 14,0 mm, With cable gland, With hammer symbol
	With bayonet cover on strap

Logistics data	
Weight/pcs	0.16 kg / Piece
Packaging	Carton
Content amount	10 ST
EAN	4024941959216

Logistics data	
Length	275 mm
Width	175 mm
Height	137 mm
Weight	1.725 kg
Volume	5,737.5 ccm



18 MB 26