

three way connector - Belgian/French standard



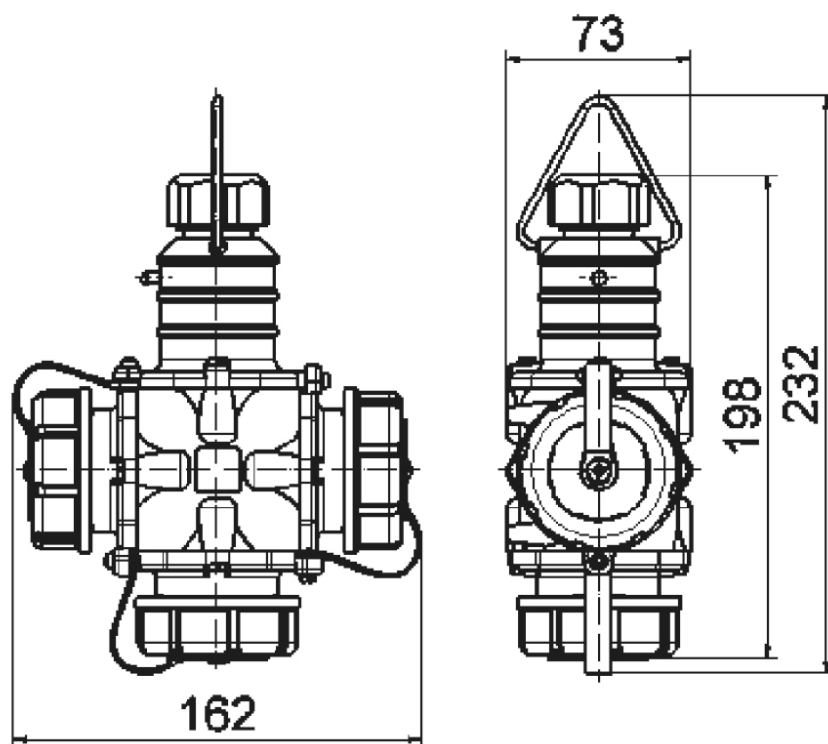
Product description	
BALS-Prd.-Nr	7432
EAN	4024941074322
product group	three-way domestic connector
current	16A
number of poles	3p
Arrangement of the phases	2P+PE
voltage (V)	250V
frequency	alternating current (AC)
protection degree	IP67

Product description	
colour code	blue RAL 5015
Colour of appliance	blue, Hinged lid blue
connection design	head-screw terminal
maximum conductor size (LQ)	2,5 qmm
cable entry (KE)	Cable gland
Height	232mm
Width	298mm
Depth	162mm
material of enclosure	rubber
contact	The contact carrier is made of high temperature resistant material, the contacts are brass nickel plated

Additional technical information	
	With earth contact Belgian/French standard
	For cable diameter up to max. 14,0 mm, With cable gland, With hammer symbol
	With bayonet cover on strap

Logistics data	
Weight/pcs	0.67 kg / Piece
Packaging	Bag
Content amount	1 ST
EAN	4024941074322

Logistics data	
Length	73 mm
Width	162 mm
Height	232 mm
Weight	0.671 kg
Volume	2,743.632 ccm
Packaging	Carton
Content amount	2 ST
EAN	4024941835855
Length	275 mm
Width	175 mm
Height	137 mm
Weight	1.465 kg
Volume	5,737.5 ccm



18 MB 27