

plug - with cable sleeve



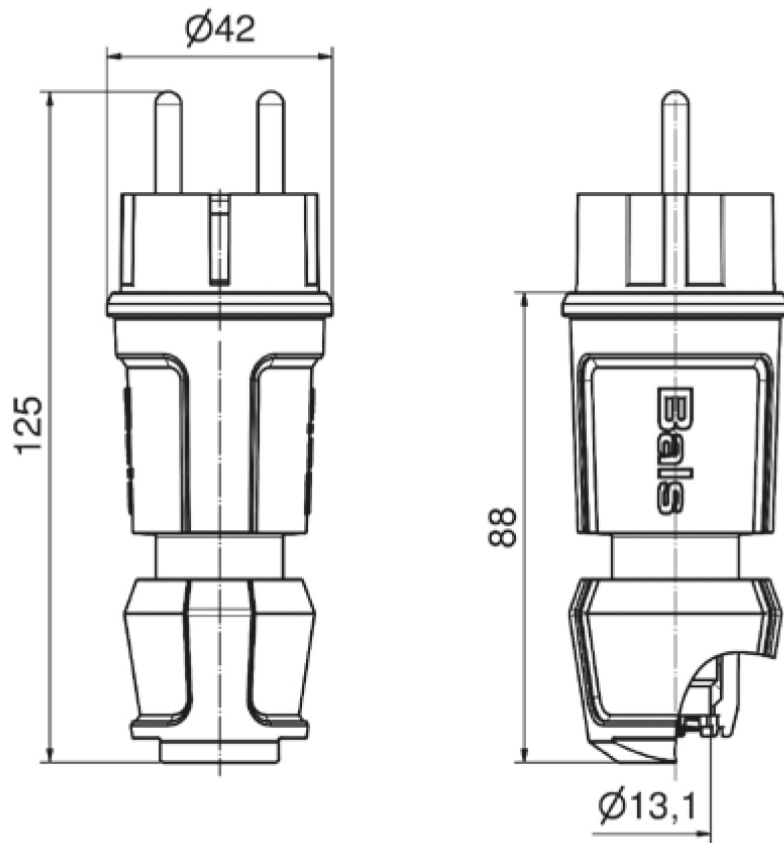
Product description	
BALS-Prd.-Nr	7371
EAN	4024941852395
Product category	Domestic plug
Current	16A
Number of poles	3p
Number of poles	2P+PE
Voltage	250V
Frequency	alternating current (AC)
Protection degree	IP44

Product description	
Colour code	gray RAL 7035
Colour of appliance	Collar black RAL 9005, Housing cover grey RAL 7035
Connection design	with screw terminal
Maximum conductor size	2,5 qmm
Cable entry	Cable gland
Height	122mm
Width	42mm
Depth	42mm
Material of enclosure	Polyamide
Contact	The contact carrier is made of polyamide, the contacts are brass nickel plated

Additional technical information	
	also suitable for Belgian/French standard
	Multi-Grip cable gland with gasket and integrated strain relief

Logistics data	
Weight/pcs	0.082 kg / Piece
Packaging	Bag
Content amount	1 ST
EAN	4024941852395
Length	42 mm

Logistics data	
Width	42 mm
Height	122 mm
Weight	0.083 kg
Volume	215.208 ccm
Packaging	Carton
Content amount	20 ST
EAN	4024941323611
Length	275 mm
Width	175 mm
Height	137 mm
Weight	1.765 kg
Volume	5,737.5 ccm



18 MB 119