

## flange 65x72, System E Belgian/French standard



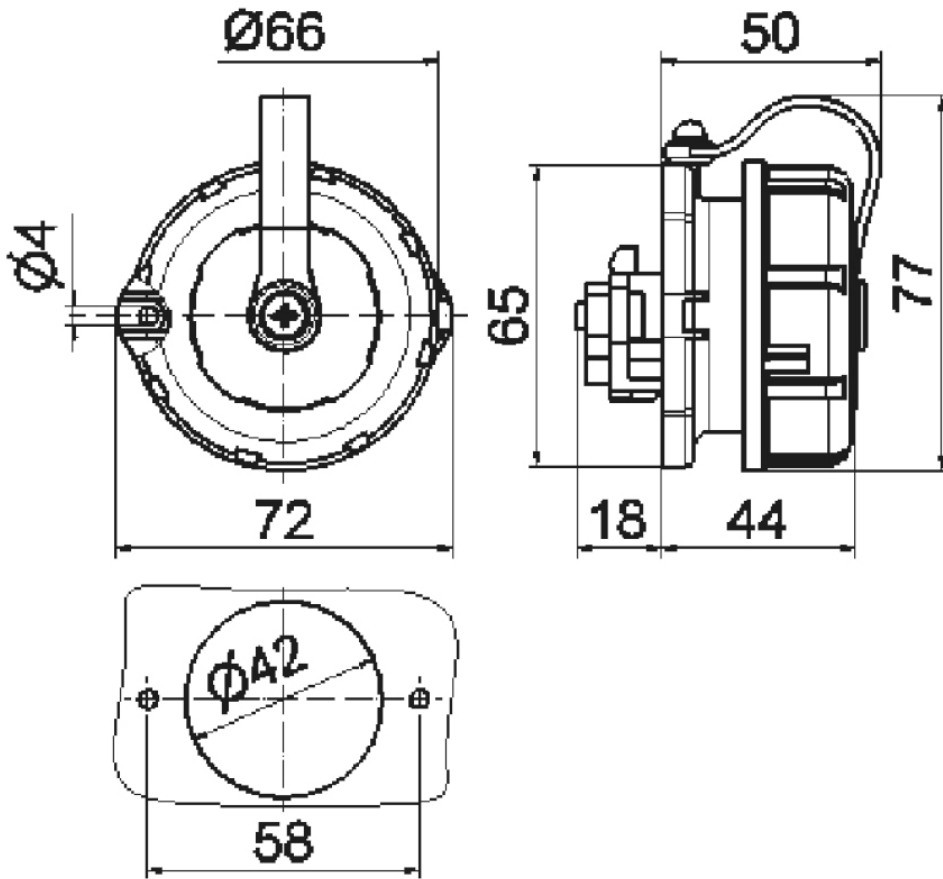
Product description	
BALS-Prd.-Nr	7186
EAN	4024941071864
Product category	TN domestic panel mounting socket outlet, straight, System F German standard
Current	16A
Number of poles	3p
Number of poles	2P+PE
Voltage	250V
Frequency	alternating current (AC)
Protection degree	IP68

Product description	
Colour code	bronze-green RAL 6031-F9
Colour of appliance	Bayonet ring bronze-green RAL 6031-F9, Hinged lid bronze-green RAL 6031-F9, Enclosure bronze-green RAL 6031-F9
Connection design	head-screw terminal
Maximum conductor size	4,0 qmm
Cable entry	null
Height	77mm
Width	72mm
Depth	62mm
Flange size vertical	65mm
Flange size horizontal	72mm
Drill hole distance horizontal	58mm
Material of enclosure	Polyamide
Contact	The contact carrier is made of high temperature resistant material, the contacts are brass nickel plated

Additional technical information	
	The connection is rear, With earth contact Belgian/French standard
	With bayonet cover on strap

Logistics data	
Weight/pcs	0.1 kg / Piece

Logistics data	
Packaging	Bag
Content amount	1 ST
EAN	4024941071864
Length	62 mm
Width	72 mm
Height	77 mm
Weight	0.101 kg
Volume	343.728 ccm
Packaging	Carton
Content amount	10 ST
EAN	4024941840187
Length	207 mm
Width	162 mm
Height	142 mm
Weight	1.1 kg
Volume	3,750 ccm



18 MB 21