

panel mounting socket outlet, straight - flange 75x75, System E Belgian/French standard

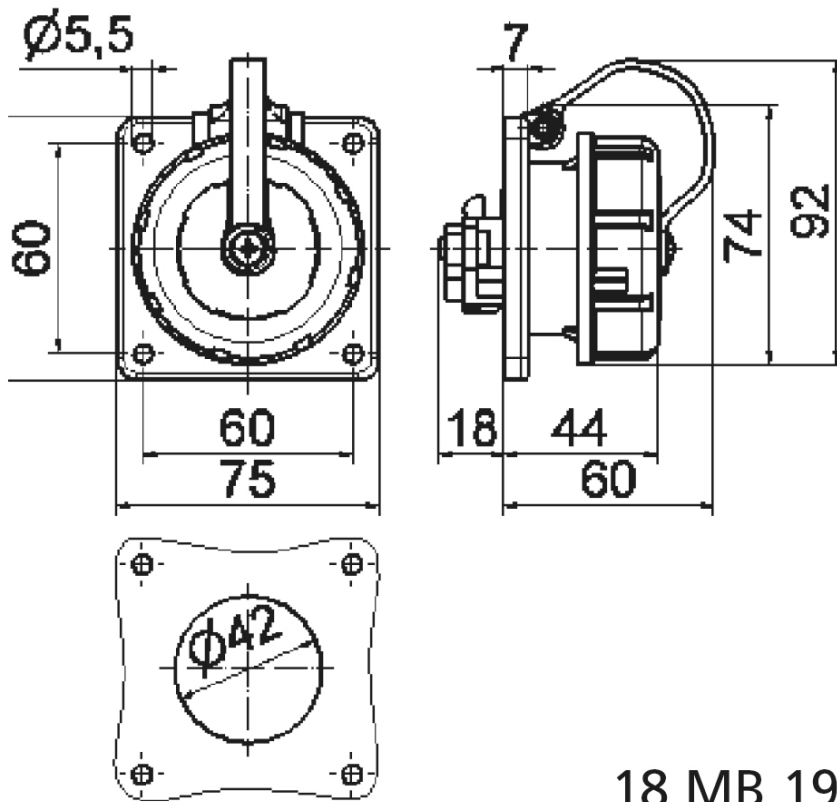


Product description	
BALS-Prd.-Nr	7153
EAN	4024941071536
product category	Domestic panel mounting socket outlet, straight, System F German standard
current	16A
number of poles	3p
number of poles	2P+PE
voltage	250V
frequency	alternating current (AC)

Product description	
protection degree	IP68
colour code	blue RAL 5015
Colour of appliance	Enclosure blue, Hinged lid blue, Bayonet ring grey
connection design	head-screw terminal
maximum conductor size	4,0 qmm
cable entry	null
Height	75mm
Width	75mm
Depth	78mm
Flange size vertical	75mm
Flange size horizontal	75mm
Drill hole distance vertical	60mm
Drill hole distance horizontal	60mm
material of enclosure	Polyamide
contact	The contact carrier is made of high temperature resistant material, the contacts are brass nickel plated

Additional technical information	
	The connection is rear, With earth contact Belgian/French standard
	With hammer symbol
	With bayonet cover on strap

Logistics data	
Weight/pcs	0.136 kg / Piece
Packaging	Bag
Content amount	1 ST
EAN	4024941071536
Length	78 mm
Width	75 mm
Height	75 mm
Weight	0.137 kg
Volume	438.75 ccm
Packaging	Carton
Content amount	10 ST
EAN	4024941835664
Length	275 mm
Width	175 mm
Height	137 mm
Weight	1.485 kg
Volume	5,737.5 ccm



18 MB 19