

panel mounting socket outlet, straight - flange 50x50,
without hinged cover

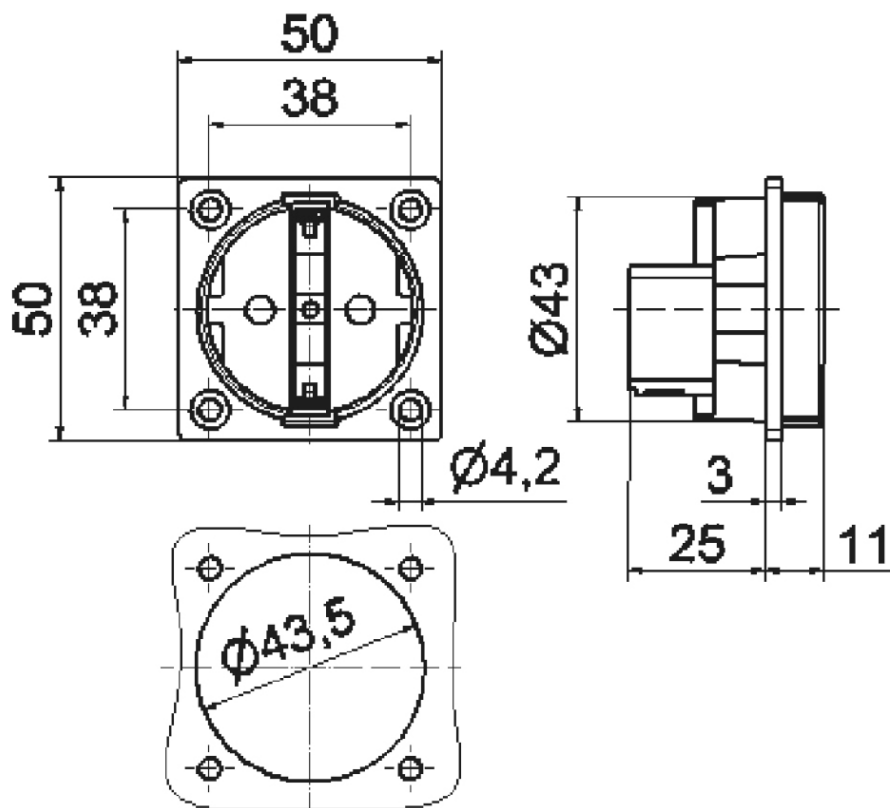


| Product description | |
|---------------------|---|
| BALS-Prd.-Nr | 712 |
| EAN | 4024941007122 |
| product category | Domestic panel mounting socket outlet, straight, System F German standard |
| current | 16A |
| number of poles | 3p |
| number of poles | 2P+PE |
| voltage | 250V |
| frequency | alternating current (AC) |

| Product description | |
|--------------------------------|--|
| protection degree | IP20 |
| colour code | gray RAL 7035 |
| Colour of appliance | Enclosure grey |
| connection design | head-screw terminal |
| maximum conductor size | 4,0 qmm |
| cable entry | null |
| Height | 50mm |
| Width | 50mm |
| Depth | 36mm |
| Flange size vertical | 50mm |
| Flange size horizontal | 50mm |
| Drill hole distance vertical | 38mm |
| Drill hole distance horizontal | 38mm |
| material of enclosure | Polyamide |
| contact | The contact carrier is made of polyamide, the contacts are brass nickel plated |

| Additional technical information | |
|---|------------------------|
| | The connection is rear |
| | Without hinged lid |

| Logistics data | |
|----------------|-----------------|
| Weight/pcs | 0.02 kg / Piece |
| Packaging | Carton |
| Content amount | 20 ST |
| EAN | 4024941835589 |
| Length | 276 mm |
| Width | 174 mm |
| Height | 80 mm |
| Weight | 0.512 kg |
| Volume | 2,808 ccm |



18 MB 1