

panel mounting socket outlet, straight - flange 75x75,
fixing centers 60x60

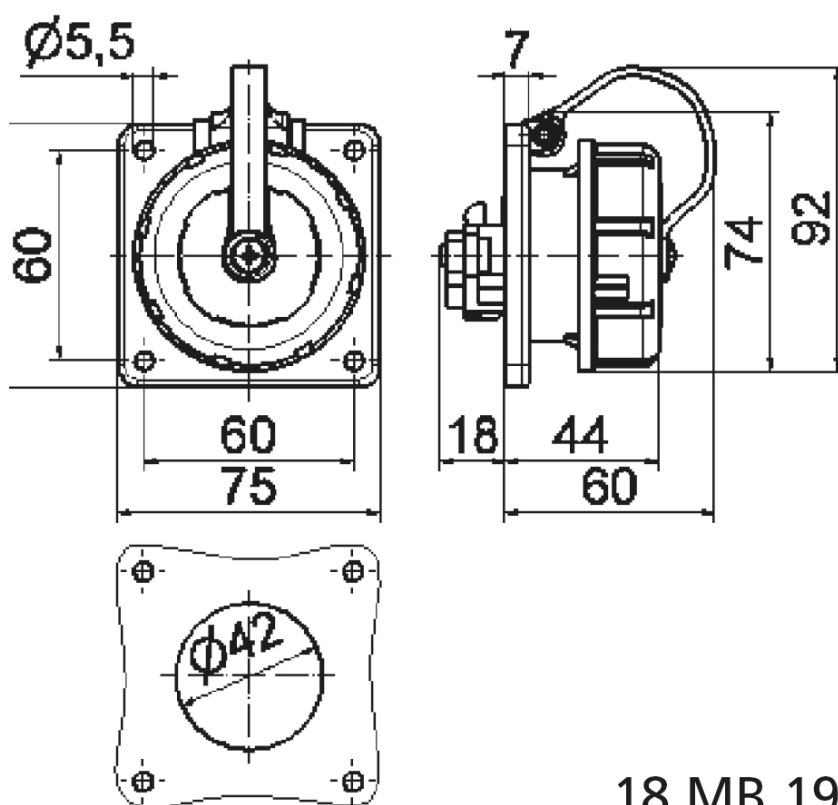


Product description	
BALS-Prd.-Nr	7119
EAN	4024941071192
product category	Domestic panel mounting socket outlet, straight, System F German standard
current	16A
number of poles	3p
number of poles	2P+PE
voltage	250V
frequency	alternating current (AC)

Product description	
protection degree	IP68
colour code	gray RAL 7035
Colour of appliance	Hinged lid grey, Bayonet ring grey, Enclosure grey
connection design	head-screw terminal
maximum conductor size	4,0 qmm
cable entry	null
Height	75mm
Width	75mm
Depth	78mm
Flange size vertical	75mm
Flange size horizontal	75mm
Drill hole distance vertical	60mm
Drill hole distance horizontal	60mm
material of enclosure	Polyamide
contact	The contact carrier is made of high temperature resistant material, the contacts are brass nickel plated

Additional technical information	
	The connection is rear
	With hammer symbol
	With bayonet cover on strap

Logistics data	
Weight/pcs	0.04 kg / Piece
Packaging	Bag
Content amount	1 ST
EAN	4024941071192
Length	78 mm
Width	75 mm
Height	75 mm
Weight	0.041 kg
Volume	438.75 ccm
Packaging	Carton
Content amount	10 ST
EAN	4024941959506
Length	275 mm
Width	175 mm
Height	137 mm
Weight	0.525 kg
Volume	5,737.5 ccm



18 MB 19