

domestic panel mounting socket outlet, for use in mobile distributor systems - flange 50x50, fixing centers 38x38



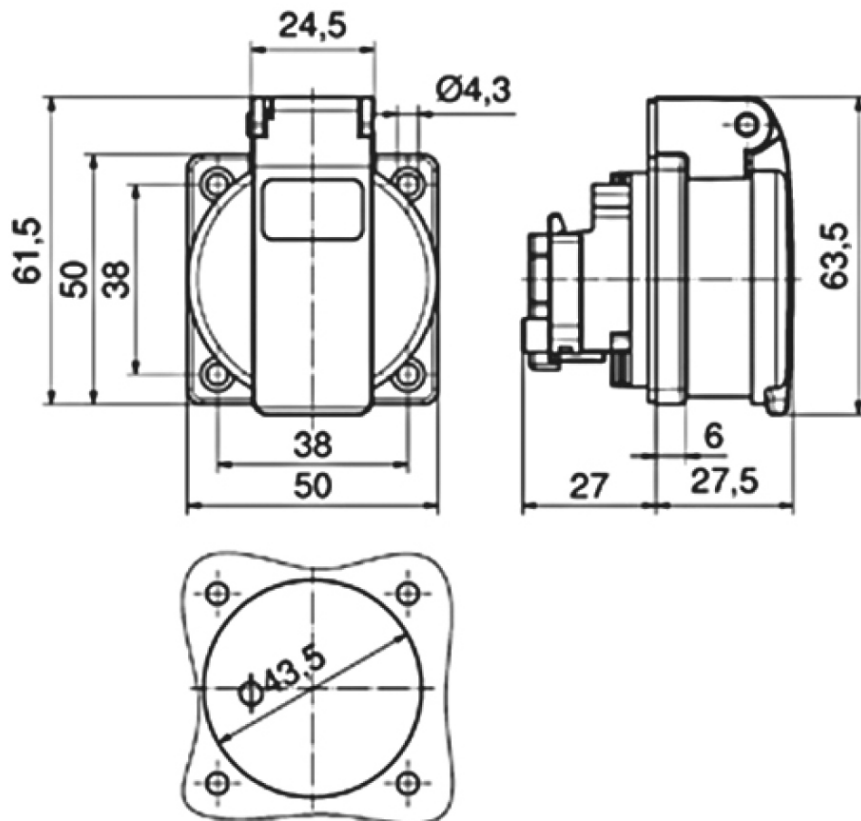
Product description	
BALS-Prd.-Nr	71102
EAN	4024941962179
product group	Domestic panel mounting socket outlet Quick-Connect screwless push-contact System F German standard
current	16A
number of poles	3p
Arrangement of the phases	2P+PE
voltage (V)	250V
frequency	alternating current (AC)

Product description	
protection degree	IP54
colour code	blue RAL 5015
Colour of appliance	Enclosure blue, Hinged lid blue
connection design	screwless
maximum conductor size (LQ)	4,0 qmm
cable entry (KE)	null
Height	61.5mm
Width	50mm
Depth	54.5mm
Flange size vertical	50mm
Flange size horizontal	50mm
Drill hole distance vertical	38mm
Drill hole distance horizontal	38mm
material of enclosure	Polyamide
contact	The contact carrier is made of polyamide, the contacts are brass nickel plated

Additional technical information	
	The connection is rear, For use in mobile distributor systems

Logistics data	
Weight/pcs	0.04 kg / Piece

Logistics data	
Packaging	Bag
Content amount	1 ST
EAN	4024941962179
Length	54.5 mm
Width	50 mm
Height	61.5 mm
Weight	0.041 kg
Volume	167.58 ccm
Packaging	Carton
Content amount	20 ST
EAN	4024941959339
Length	207 mm
Width	162 mm
Height	142 mm
Weight	0.9 kg
Volume	3,750 ccm

**18 MB 104**