

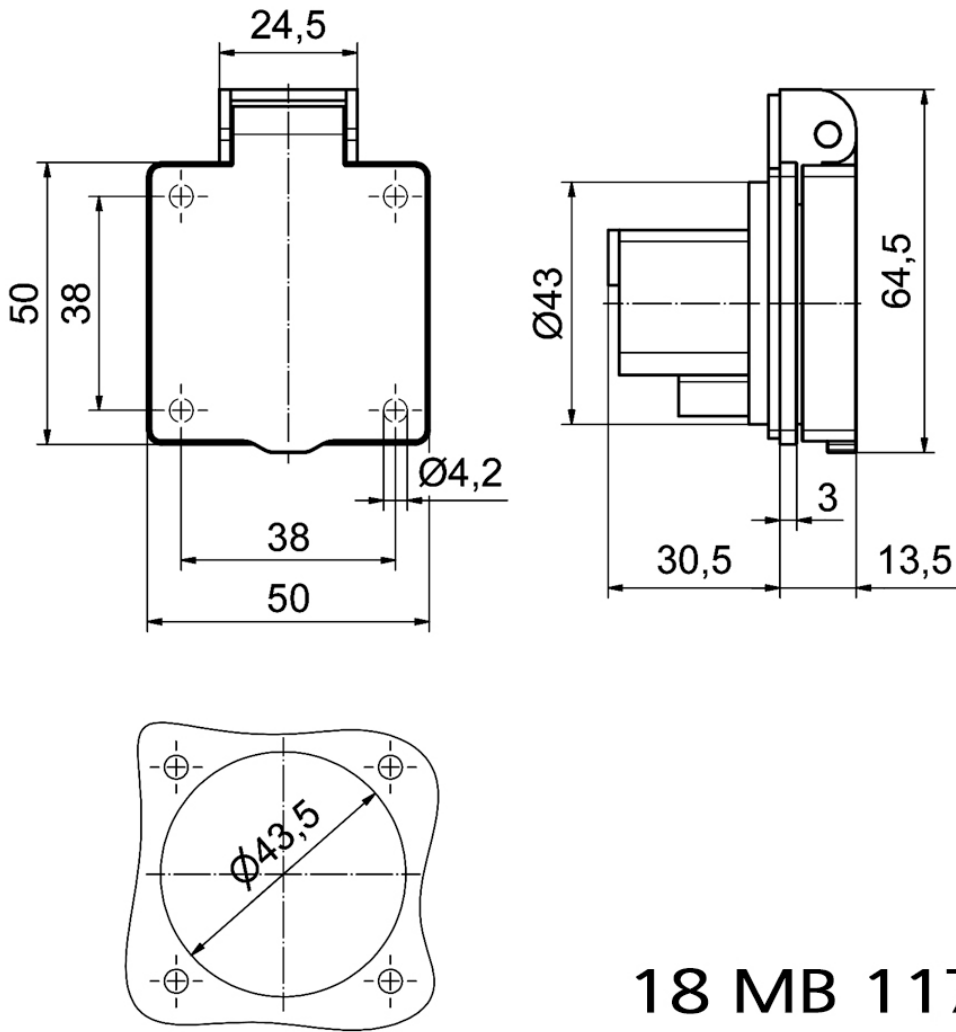
panel mounting socket outlet, straight - flange 50x50, System K Danish standard



Product description	
BALS-Prd.-Nr	71071
EAN	4024941209571
product category (PG)	Domestic panel mounting socket, System K Danish standard
current (A)	16A
number of poles (P99)	3p
number of poles (P)	2P+PE
voltage (V)	250V
frequency (HZ)	alternating current (AC)

Product description	
protection degree (SA)	IP54
colour code 1 (KF1)	blue RAL 5015
Colour of appliance	Hinged lid blue
connection design (AT)	with screw terminal
maximum conductor size (LQ)	4,0 qmm
cable entry (KE)	null
Flange size vertical	50mm
Flange size horizontal	50mm
Drill hole distance vertical	38mm
Drill hole distance horizontal	38mm
material of enclosure (GM)	Polyamide
contact	The contact carrier is made of polyamide, the contacts are brass nickel plated

Additional technical information	
	Danish standard



18 MB 117