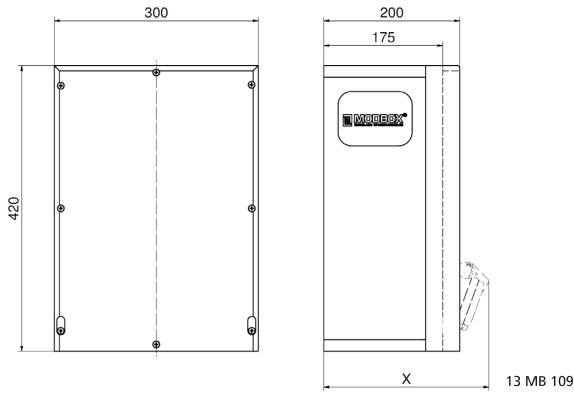


# MODBOX



Product description	
BALS-Prd.-Nr	5402166
EAN	4024941948807
product group	null
protection degree	IP67
Colour of appliance	null, null
Height	420mm
Width	300mm
Depth	175mm
RDF factor	0.73

Product description	
Nominal current InA	40



Tiefenmaß/ depth X (mm)

Bezeichnung/ with	IP44	IP67
Schutzk. Steckdose/domestic socket	192	235
CEE 16A 3p	230	230
CEE 16A 4p	234	232
CEE 16A 5p	237	235
CEE 32A 3p/4p	241	243
CEE 32A 5p	243	244
CEE 63A 3p/4p/5p	259	261