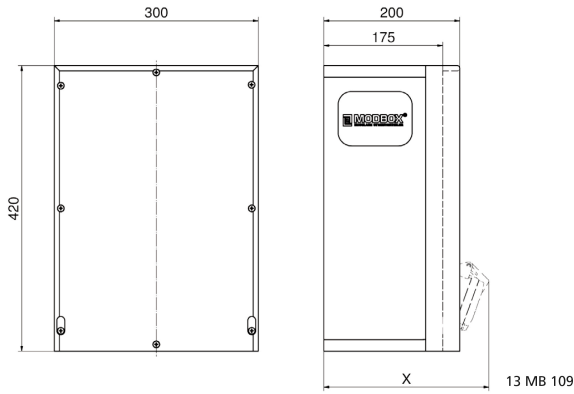


MODBOX



| Product description | |
|---------------------|---------------|
| BALS-Prd.-Nr | 5402046 |
| EAN | 4024941948678 |
| product group | null |
| protection degree | IP44 |
| Colour of appliance | null, null |
| Height | 420mm |
| Width | 300mm |
| Depth | 175mm |
| RDF factor | 0.79 |

| Product description | |
|---------------------|----|
| Nominal current InA | 40 |



Tiefenmaß/ depth X (mm)

| Bezeichnung/ with | IP44 | IP67 |
|------------------------------------|------|------|
| Schutzk. Steckdose/domestic socket | 192 | 235 |
| CEE 16A 3p | 230 | 230 |
| CEE 16A 4p | 234 | 232 |
| CEE 16A 5p | 237 | 235 |
| CEE 32A 3p/4p | 241 | 243 |
| CEE 32A 5p | 243 | 244 |
| CEE 63A 3p/4p/5p | 259 | 261 |