

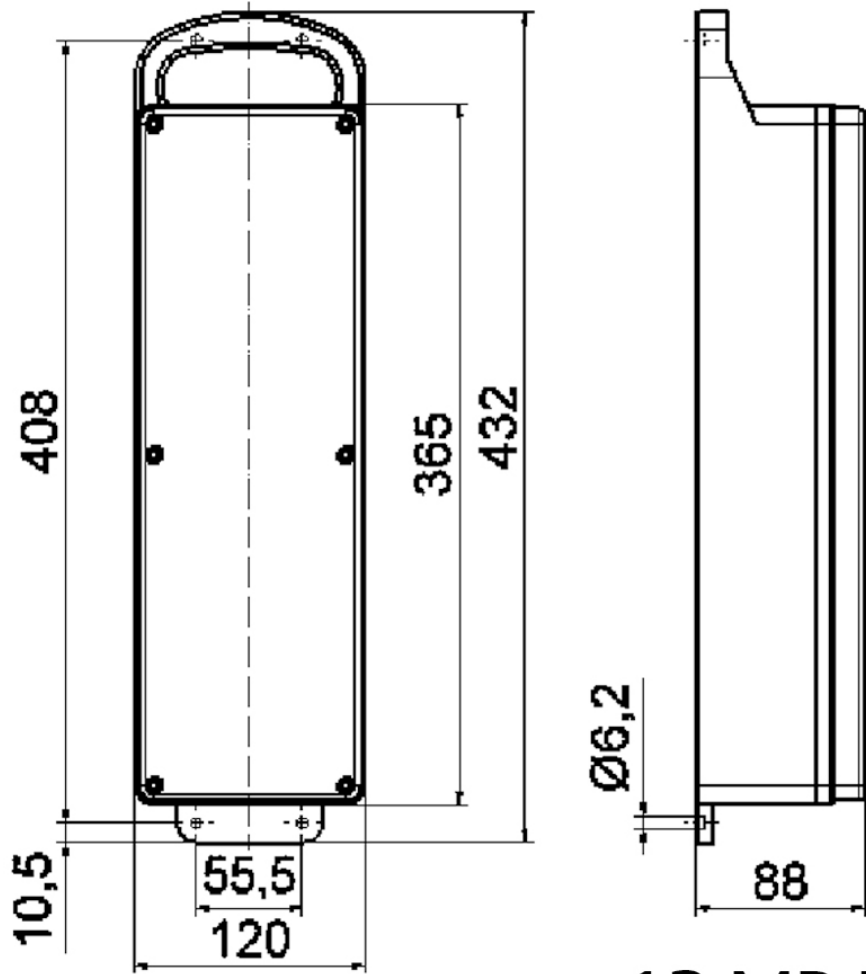
0



| Product description |               |
|---------------------|---------------|
| BALS-Prd.-Nr        | 53525         |
| EAN                 | 4024941194235 |
| product group       | null          |
| protection degree   | IP44          |
| Colour of appliance | null, null    |
| Height              | 88mm          |
| Width               | 365mm         |
| Depth               | 120mm         |

| Logistics data |                  |
|----------------|------------------|
| Weight/pcs     | 4.362 kg / Piece |
| Packaging      | Carton           |
| Content amount | 1 ST             |
| EAN            | 4024941194235    |
| Length         | 560 mm           |
| Width          | 215 mm           |
| Height         | 260 mm           |
| Weight         | 4.824 kg         |
| Volume         | 26,400 ccm       |

| Metal surcharges            |                           |
|-----------------------------|---------------------------|
| Surcharge type              | Kupfer                    |
| Materialbase                | 150 EUR per 100 Kilogram  |
| Included weight of material | 0.24 Kilogram per 1 Piece |



13 MB 7