

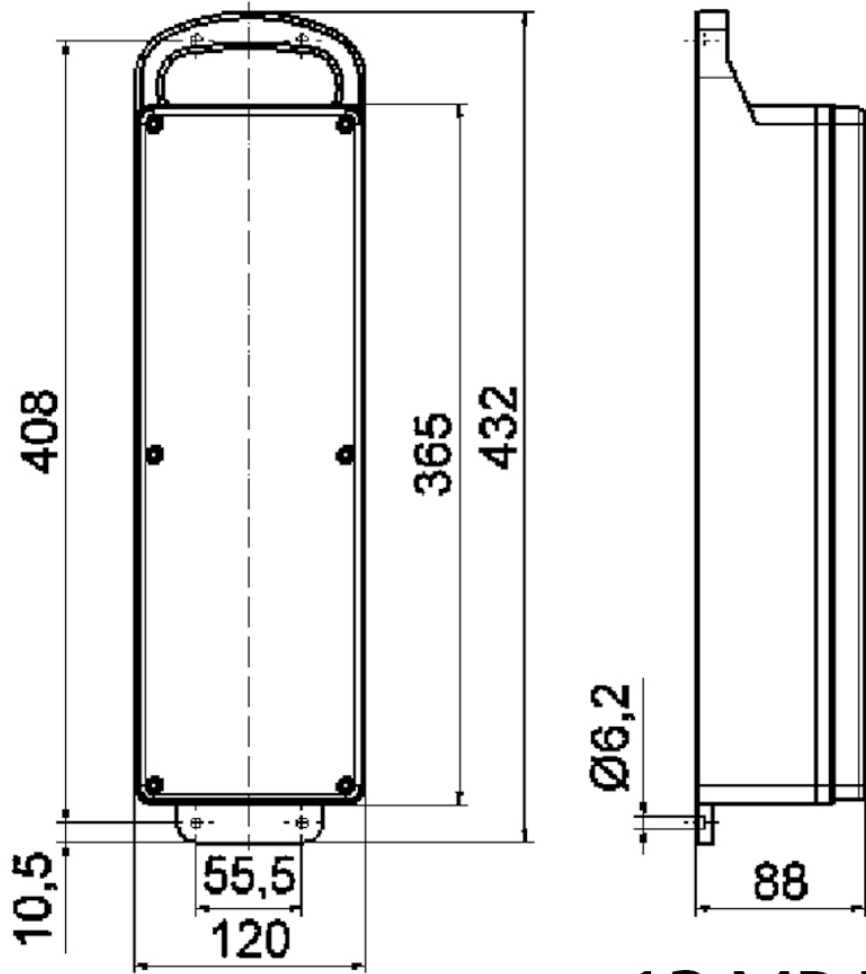
0



| Product description | |
|---------------------|---------------|
| BALS-Prd.-Nr | 530179 |
| EAN | 4024941197892 |
| product group | null |
| protection degree | IP44 |
| Colour of appliance | null, null |
| Height | 365mm |
| Width | 120mm |
| Depth | 90mm |

| Logistics data | |
|----------------|------------------|
| Weight/pcs | 4.534 kg / Piece |
| Packaging | Carton |
| Content amount | 1 ST |
| EAN | 4024941197892 |
| Length | 560 mm |
| Width | 215 mm |
| Height | 260 mm |
| Weight | 4.996 kg |
| Volume | 26,400 ccm |

| Metal surcharges | |
|-----------------------------|----------------------------|
| Surcharge type | Kupfer |
| Materialbase | 150 EUR per 100 Kilogram |
| Included weight of material | 0.346 Kilogram per 1 Piece |



13 MB 7