

wall mounting appliance inlet - housing dimensions 80x70



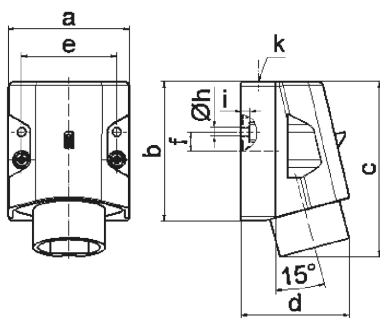
| Product description | |
|---------------------------|-----------------------------------|
| BALS-Prd.-Nr | 468 |
| EAN | 4024941004688 |
| product category | ELV wall mounting appliance inlet |
| current | 16A |
| number of poles | 3p |
| number of poles | 3P |
| position of earth contact | 4 h |
| voltage | 20 up to 25 and 40 up to 50V |
| frequency | 100 up to 200Hz |

| Product description | |
|------------------------|--|
| protection degree | IP44 |
| colour code | green RAL 6002 |
| Colour of appliance | Housing bottom grey, Housing top grey, Collar green |
| connection design | screw terminal |
| maximum conductor size | 10,0 qmm |
| cable entry | top entry M25 |
| Height | 102mm |
| Width | 70mm |
| Depth | 63mm |
| dimension of enclosure | 80x70 mm (HxW) |
| material of enclosure | Polyamide |
| contact | The contact carrier is made of polyamide, The contacts are brass |

| Additional technical information | |
|----------------------------------|------------------------------------|
| | The cable entry is one at top open |

| Logistics data | |
|----------------|------------------|
| Weight/pcs | 0.155 kg / Piece |
| Packaging | Carton |
| Content amount | 10 ST |
| EAN | 4024941837293 |

| Logistics data | |
|----------------|-----------|
| Length | 245 mm |
| Width | 177 mm |
| Height | 185 mm |
| Weight | 1.683 kg |
| Volume | 7,140 ccm |



16 MB 15

| Ampere | 16 | 16 | 32 | 32 | | |
|----------------------------|-------|-------|-------|-------|--|--|
| Polzahl | 2 | 3 | 2 | 3 | | |
| a | 70,0 | 70,0 | 70,0 | 70,0 | | |
| b | 80,0 | 80,0 | 80,0 | 80,0 | | |
| c | 100,0 | 100,0 | 100,0 | 100,0 | | |
| d | 82,0 | 82,0 | 82,0 | 82,0 | | |
| e | 55,0 | 55,0 | 55,0 | 55,0 | | |
| f | 11,0 | 11,0 | 11,0 | 11,0 | | |
| h ø | 5,2 | 5,2 | 5,2 | 5,2 | | |
| i | 5,0 | 5,0 | 5,0 | 5,0 | | |
| k | M25 | M25 | M25 | M25 | | |
| Leiter mm ² min | 4 | 4 | 4 | 4 | | |
| Leiter mm ² max | 10 | 10 | 10 | 10 | | |
| | | | | | | |
| | | | | | | |