

wall mounting appliance inlet - housing dimensions 80x70



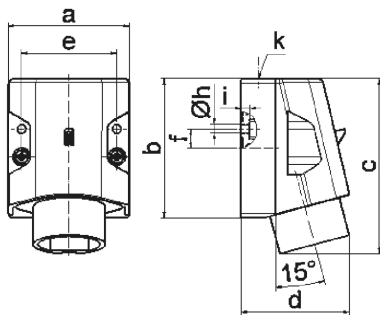
Product description	
BALS-Prd.-Nr	4619
EAN	4024941046190
product group	ELV wall mounting appliance inlet
current	32A
number of poles	3p
Arrangement of the phases	3P
position of earth contact	4 h
voltage (V)	20 up to 25 and 40 up to 50V
frequency	100 up to 200Hz

Product description	
protection degree	IP44
colour code	green RAL 6002
Colour of appliance	Housing bottom grey, Housing top grey, Collar green
connection design	screw terminal
maximum conductor size (LQ)	10,0 qmm
cable entry (KE)	top entry M25
Height	102mm
Width	70mm
Depth	63mm
dimension of enclosure (GG)	80x70 mm (HxW)
material of enclosure	Polyamide
contact	The contact carrier is made of polyamide, The contacts are brass

Additional technical information	
	The cable entry is one at top open

Logistics data	
Weight/pcs	0.151 kg / Piece
Packaging	Bag
Content amount	1 ST
EAN	4024941046190

Logistics data	
Length	63 mm
Width	70 mm
Height	102 mm
Weight	0.152 kg
Volume	449.82 ccm
Packaging	Carton
Content amount	10 ST
EAN	4024941837316
Length	245 mm
Width	177 mm
Height	185 mm
Weight	1.643 kg
Volume	7,140 ccm



16 MB 15

Ampere	16	16	32	32		
Polzahl	2	3	2	3		
a	70,0	70,0	70,0	70,0		
b	80,0	80,0	80,0	80,0		
c	100,0	100,0	100,0	100,0		
d	82,0	82,0	82,0	82,0		
e	55,0	55,0	55,0	55,0		
f	11,0	11,0	11,0	11,0		
h ø	5,2	5,2	5,2	5,2		
i	5,0	5,0	5,0	5,0		
k	M25	M25	M25	M25		
Leiter mm ² min	4	4	4	4		
Leiter mm ² max	10	10	10	10		