

## wall mounting appliance inlet - housing dimensions 80x70



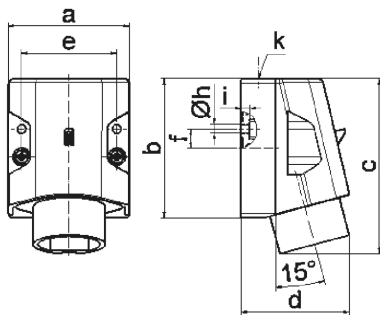
Product description	
BALS-Prd.-Nr	4616
EAN	4024941046169
product category	ELV wall mounting appliance inlet
current	32A
number of poles	2p
number of poles	2P
position of earth contact	10 h
voltage	20 up to 25 and 40 up to 50V
frequency	direct current (DC)

Product description	
protection degree	IP44
colour code	gray RAL 7035
Colour of appliance	Housing bottom grey, Housing top grey, Collar grey
connection design	screw terminal
maximum conductor size	10,0 qmm
cable entry	top entry M25
Height	102mm
Width	70mm
Depth	63mm
dimension of enclosure	80x70 mm (HxW)
material of enclosure	Polyamide
contact	The contact carrier is made of polyamide, The contacts are brass

Additional technical information	
	The cable entry is one at top open

Logistics data	
Weight/pcs	0.135 kg / Piece
Packaging	Bag
Content amount	1 ST
EAN	4024941046169

Logistics data	
Length	63 mm
Width	70 mm
Height	102 mm
Weight	0.136 kg
Volume	449.82 ccm
Packaging	Carton
Content amount	10 ST
EAN	4024941837392
Length	245 mm
Width	177 mm
Height	185 mm
Weight	1.483 kg
Volume	7,140 ccm



16 MB 15

Ampere	16	16	32	32		
Polzahl	2	3	2	3		
a	70,0	70,0	70,0	70,0		
b	80,0	80,0	80,0	80,0		
c	100,0	100,0	100,0	100,0		
d	82,0	82,0	82,0	82,0		
e	55,0	55,0	55,0	55,0		
f	11,0	11,0	11,0	11,0		
h $\varnothing$	5,2	5,2	5,2	5,2		
i	5,0	5,0	5,0	5,0		
k	M25	M25	M25	M25		
Leiter mm <sup>2</sup> min	4	4	4	4		
Leiter mm <sup>2</sup> max	10	10	10	10		