

## Plug - with cable gland, Multi-Grip



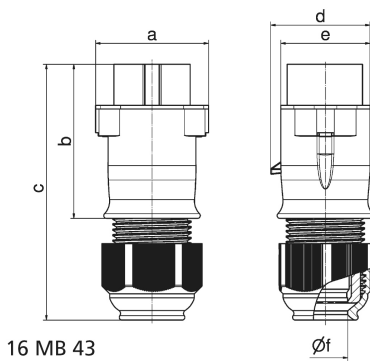
| Product description       |                              |
|---------------------------|------------------------------|
| BALS-Prd.-Nr              | 4441                         |
| EAN                       | 4024941044417                |
| product group             | ELV plug                     |
| current                   | 32A                          |
| number of poles           | 3p                           |
| Arrangement of the phases | 3P                           |
| position of earth contact | 4 h                          |
| voltage (V)               | 20 up to 25 and 40 up to 50V |
| frequency                 | 100 up to 200Hz              |

| Product description         |  |
|-----------------------------|--|
| protection degree           | IP44   |
| colour code                 | green RAL 6002   |
| Colour of appliance         | Housing cover grey, Cable gland grey, Collar green                             |
| connection design           | screw terminal   |
| maximum conductor size (LQ) | 10,0 qmm   |
| cable entry (KE)            | Cable gland  |
| Height                      | 141mm  |
| Width                       | 62mm   |
| Depth                       | 57mm   |
| material of enclosure       | Polyamide  |
| contact                     | The contact carrier is made of polyamide, the contacts are brass nickel plated |

| Additional technical information |  |
|----------------------------------|--|
|                                  | Multi-Grip cable gland with gasket and integrated strain relief, For cable diameter from 11 up to max. 23,5 mm |

| Logistics data |                  |
|----------------|------------------|
| Weight/pcs     | 0.158 kg / Piece |
| Packaging      | Bag              |
| Content amount | 1 ST             |
| EAN            | 4024941044417    |
| Length         | 57 mm            |

| Logistics data |               |
|----------------|---------------|
| Width          | 62 mm         |
| Height         | 141 mm        |
| Weight         | 0.159 kg      |
| Volume         | 498.294 ccm   |
| Packaging      | Carton        |
| Content amount | 10 ST         |
| EAN            | 4024941968188 |
| Length         | 248 mm        |
| Width          | 158 mm        |
| Height         | 123 mm        |
| Weight         | 1.677 kg      |
| Volume         | 3,960 ccm     |



| Ampere                     | 16    | 16    | 32    | 32    |  |  |  |
|----------------------------|-------|-------|-------|-------|--|--|--|
| Polzahl                    | 2     | 3     | 2     | 3     |  |  |  |
| a                          | 62,0  | 62,0  | 62,0  | 62,0  |  |  |  |
| b                          | 85,0  | 85,0  | 85,0  | 85,0  |  |  |  |
| c                          | 140,0 | 140,0 | 140,0 | 140,0 |  |  |  |
| d                          | 55,0  | 55,0  | 55,0  | 55,0  |  |  |  |
| e                          | 50,0  | 50,0  | 50,0  | 50,0  |  |  |  |
| f ø                        | 24,5  | 24,5  | 24,5  | 24,5  |  |  |  |
| Leiter mm <sup>2</sup> min | 4     | 4     | 4     | 4     |  |  |  |
| Leiter mm <sup>2</sup> max | 10    | 10    | 10    | 10    |  |  |  |
|                            |       |       |       |       |  |  |  |
|                            |       |       |       |       |  |  |  |
|                            |       |       |       |       |  |  |  |

