

Plug - with cable gland, Multi-Grip



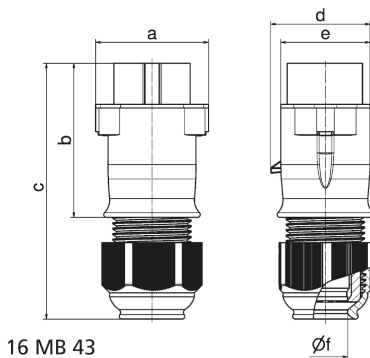
Product description	
BALS-Prd.-Nr	4440
EAN	4024941044400
Product category	ELV plug
Current	32A
Number of poles	3p
Number of poles	3P
Position of earth contact	12 h
Voltage	40 up to 50V
Frequency	50 and 60Hz

Product description	
Protection degree	IP44
Colour code	gray RAL 7035
Colour of appliance	Housing cover grey RAL 7035, Cable gland grey RAL 7035, Collar grey RAL 7035
Connection design	with screw terminal
Maximum conductor size	10,0 qmm
Cable entry	Cable gland
Height	141mm
Width	62mm
Depth	57mm
Material of enclosure	Polyamide
Contact	The contact carrier is made of polyamide, the contacts are brass nickel plated

Additional technical information	
	Multi-Grip cable gland with gasket and integrated strain relief, For cable diameter from 11 up to max. 23,5 mm

Logistics data	
Weight/pcs	0.161 kg / Piece
Packaging	Bag
Content amount	1 ST
EAN	4024941044400

Logistics data	
Length	57 mm
Width	62 mm
Height	141 mm
Weight	0.162 kg
Volume	498.294 ccm
Packaging	Carton
Content amount	10 ST
EAN	4024941819503
Length	248 mm
Width	158 mm
Height	123 mm
Weight	1.707 kg
Volume	3,960 ccm



Ampere Polzahl	16 2	16 3	32 2	32 3			
a	62,0	62,0	62,0	62,0			
b	85,0	85,0	85,0	85,0			
c	140,0	140,0	140,0	140,0			
d	55,0	55,0	55,0	55,0			
e	50,0	50,0	50,0	50,0			
f Ø	24,5	24,5	24,5	24,5			
Leiter mm ² min	4	4	4	4			
Leiter mm ² max	10	10	10	10			

