

panel mounting socket outlet - flange 75x75, fixing centers 60x60, straight execution

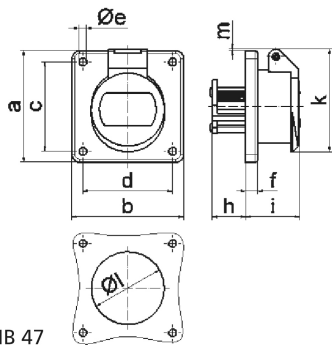


Product description	
BALS-Prd.-Nr	4357
EAN	4024941043571
product category (PG)	ELV panel mounting socket outlet, straight
current (A)	16A
number of poles (P99)	2p
number of poles (P)	2P
position of earth contact (H)	2 h
voltage (V)	20 up to 25 and 40 up to 50V

Product description	
frequency (HZ)	300Hz
protection degree (SA)	IP44
colour code 1 (KF1)	green RAL 6002
Colour of appliance	Hinged lid green RAL 6002, Enclosure grey RAL 7035
connection design (AT)	with screw terminal
maximum conductor size (LQ)	10,0 qmm
cable entry (KE)	null
Height	76mm
Width	75mm
Depth	61mm
Flange size vertical	75mm
Flange size horizontal	75mm
Drill hole distance vertical	60mm
Drill hole distance horizontal	60mm
material of enclosure (GM)	Polyamide
contact	The contact carrier is made of polyamide, the contacts are brass nickel plated

Logistics data	
Weight/pcs	0.12 kg / Piece
Packaging	Carton
Content amount	10 ST

Logistics data	
EAN	4024941836784
Length	207 mm
Width	162 mm
Height	142 mm
Weight	1.3 kg
Volume	3,750 ccm



16 MB 47

Ampere	16	16	32	32		
Polzahl	2	3	2	3		
a	75,0	75,0	75,0	75,0		
b	75,0	75,0	75,0	75,0		
c	60,0	60,0	60,0	60,0		
d	60,0	60,0	60,0	60,0		
e ø	5,2	5,2	5,2	5,2		
f	6,0	6,0	6,0	6,0		
h	22,0	22,0	22,0	22,0		
i	37,0	37,0	37,0	37,0		
k	67,0	67,0	67,0	67,0		
l ø	49,0	49,0	49,0	49,0		
m	2,0	2,0	2,0	2,0		
Leiter mm ² min	4	4	4	4		
Leiter mm ² max	10	10	10	10		