

## panel mounting socket outlet - flange 100x92, fixing centers 85x77, angled execution

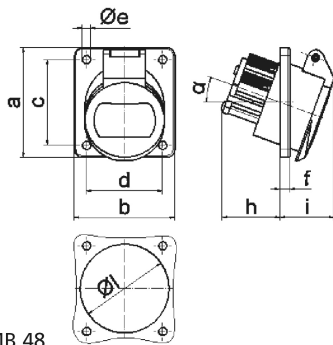


Product description	
BALS-Prd.-Nr	4230
EAN	4024941042307
product category (PG)	ELV panel mounting socket Outlet, angled
current (A)	16A
number of poles (P99)	3p
number of poles (P)	3P
position of earth contact (H)	4 h
voltage (V)	20 up to 25 and 40 up to 50V

Product description	
frequency (HZ)	100 up to 200Hz
protection degree (SA)	IP44
colour code 1 (KF1)	green RAL 6002
Colour of appliance	Hinged lid green RAL 6002, Enclosure grey RAL 7035
connection design (AT)	with screw terminal
maximum conductor size (LQ)	10,0 qmm
cable entry (KE)	null
Height	100mm
Width	92mm
Depth	70mm
Flange size vertical	100mm
Flange size horizontal	92mm
Drill hole distance vertical	85mm
Drill hole distance horizontal	77mm
material of enclosure (GM)	Polyamide
contact	The contact carrier is made of polyamide, the contacts are brass nickel plated

Additional technical information	
	The inclination is 20°

Logistics data	
Weight/pcs	0.166 kg / Piece
Packaging	Carton
Content amount	10 ST
EAN	4024941837118
Length	245 mm
Width	177 mm
Height	185 mm
Weight	1.793 kg
Volume	7,140 ccm



Ampere Polzahl	16 2	16 3	32 2	32 3
a	100,0	100,0	100,0	100,0
b	92,0	92,0	92,0	92,0
c	85,0	85,0	85,0	85,0
d	77,0	77,0	77,0	77,0
e ø	5,2	5,2	5,2	5,2
f	6,0	6,0	6,0	6,0
h	36,0	36,0	36,0	36,0
i	35,0	35,0	35,0	35,0
α	20°	20°	20°	20°
l ø	55,0	55,0	55,0	55,0
Leiter mm <sup>2</sup> min	4	4	4	4
Leiter mm <sup>2</sup> max	10	10	10	10