

panel mounting socket outlet - angled execution, flange 68x62, fixing centers 53x47

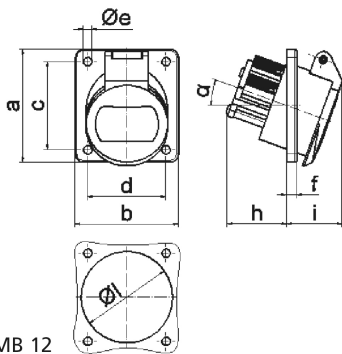


Product description	
BALS-Prd.-Nr	4214
EAN	4024941042147
product category	ELV panel mounting socket Outlet, angled
current	32A
number of poles	2p
number of poles	2P
position of earth contact	2 h
voltage	20 up to 25 and 40 up to 50V

Product description	
frequency	300Hz
protection degree	IP44
colour code	green RAL 6002
Colour of appliance	Hinged lid green, Enclosure grey
connection design	screw terminal
maximum conductor size	10,0 qmm
cable entry	null
Height	69mm
Width	62mm
Depth	70mm
Flange size vertical	68mm
Flange size horizontal	62mm
Drill hole distance vertical	53mm
Drill hole distance horizontal	47mm
material of enclosure	Polyamide
contact	The contact carrier is made of polyamide, the contacts are brass nickel plated

Additional technical information	
	The inclination is 20°

Logistics data	
Weight/pcs	0.12 kg / Piece
Packaging	Carton
Content amount	10 ST
EAN	4024941836951
Length	207 mm
Width	162 mm
Height	142 mm
Weight	1.3 kg
Volume	3,750 ccm



Ampere Polzahl	16 2	16 3	32 2	32 3		
a	68,0	68,0	68,0	68,0		
b	62,0	62,0	62,0	62,0		
c	53,0	53,0	53,0	53,0		
d	47,0	47,0	47,0	47,0		
e ø	5,2	5,2	5,2	5,2		
f	6,0	6,0	6,0	6,0		
h	36,0	36,0	36,0	36,0		
i	35,0	35,0	35,0	35,0		
α	20°	20°	20°	20°		
l ø	55,0	55,0	55,0	55,0		
Leiter mm ² min	4	4	4	4		
Leiter mm ² max	10	10	10	10		