

wall mounting socket outlet - housing dimensions 80x70



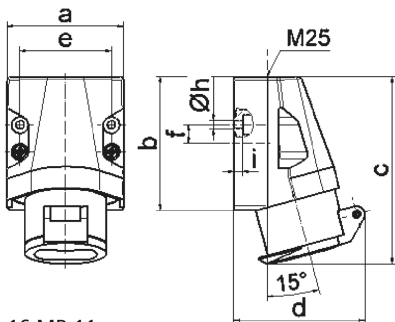
Product description	
BALS-Prd.-Nr	411
EAN	4024941004114
product category (PG)	ELV wall mounting socket outlet
current (A)	16A
number of poles (P99)	2p
number of poles (P)	2P
position of earth contact (H)	12 h
voltage (V)	40 up to 50V
frequency (HZ)	50 and 60Hz

Product description	
protection degree (SA)	IP44
colour code 1 (KF1)	gray RAL 7035
Colour of appliance	Hinged lid grey, Housing bottom grey, Housing top grey, Collar grey
connection design (AT)	screw terminal
maximum conductor size (LQ)	10,0 qmm
cable entry (KE)	top entry M25
Height	113mm
Width	70mm
Depth	79mm
dimension of enclosure (GG)	80x70 mm (HxW)
material of enclosure (GM)	Polyamide
contact	The contact carrier is made of polyamide, the contacts are brass nickel plated

Additional technical information	
	The cable entry is one at top open

Logistics data	
Weight/pcs	0.177 kg / Piece
Packaging	Bag
Content amount	1 ST
EAN	4024941004114

Logistics data	
Length	79 mm
Width	70 mm
Height	113 mm
Weight	0.178 kg
Volume	624.89 ccm
Packaging	Carton
Content amount	10 ST
EAN	4024941968577
Length	245 mm
Width	177 mm
Height	185 mm
Weight	1.903 kg
Volume	7,140 ccm



16 MB 11

Ampere	16	16	32	32		
Polzahl	2	3	2	3		
a	70,0	70,0	70,0	70,0		
b	80,0	80,0	80,0	80,0		
c	113,0	113,0	113,0	113,0		
d	80,0	80,0	80,0	80,0		
e	55,0	55,0	55,0	55,0		
f	11,0	11,0	11,0	11,0		
h ø	5,2	5,2	5,2	5,2		
i	5,0	5,0	5,0	5,0		
Leiter mm ² min	4	4	4	4		
Leiter mm ² max	10	10	10	10		

