

## wall mounting socket outlet - housing dimensions 80x70



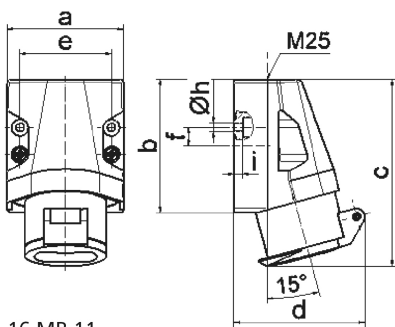
| Product description           |                                 |
|-------------------------------|---------------------------------|
| BALS-Prd.-Nr                  | 4118                            |
| EAN                           | 4024941041188                   |
| product category (PG)         | ELV wall mounting socket outlet |
| current (A)                   | 32A                             |
| number of poles (P99)         | 3p                              |
| number of poles (P)           | 3P                              |
| position of earth contact (H) | 12 h                            |
| voltage (V)                   | 40 up to 50V                    |
| frequency (HZ)                | 50 and 60Hz                     |

| Product description         |  |
|-----------------------------|--|
| protection degree (SA)      | IP44   |
| colour code 1 (KF1)         | gray RAL 7035  |
| Colour of appliance         | Hinged lid grey, Housing bottom grey, Housing top grey, Collar grey            |
| connection design (AT)      | screw terminal   |
| maximum conductor size (LQ) | 10,0 qmm   |
| cable entry (KE)            | top entry M25  |
| Height                      | 113mm  |
| Width                       | 70mm   |
| Depth                       | 79mm   |
| dimension of enclosure (GG) | 80x70 mm (HxW)   |
| material of enclosure (GM)  | Polyamide  |
| contact                     | The contact carrier is made of polyamide, the contacts are brass nickel plated |

| Additional technical information |                                    |
|----------------------------------|------------------------------------|
|                                  | The cable entry is one at top open |

| Logistics data |                  |
|----------------|------------------|
| Weight/pcs     | 0.194 kg / Piece |
| Packaging      | Carton           |
| Content amount | 10 ST            |
| EAN            | 4024941836395    |

| Logistics data |           |
|----------------|-----------|
| Length         | 245 mm    |
| Width          | 177 mm    |
| Height         | 185 mm    |
| Weight         | 2.073 kg  |
| Volume         | 7,140 ccm |



| Ampere                     | 16    | 16    | 32    | 32    |  |  |
|----------------------------|-------|-------|-------|-------|--|--|
| Polzahl                    | 2     | 3     | 2     | 3     |  |  |
| a                          | 70,0  | 70,0  | 70,0  | 70,0  |  |  |
| b                          | 80,0  | 80,0  | 80,0  | 80,0  |  |  |
| c                          | 113,0 | 113,0 | 113,0 | 113,0 |  |  |
| d                          | 80,0  | 80,0  | 80,0  | 80,0  |  |  |
| e                          | 55,0  | 55,0  | 55,0  | 55,0  |  |  |
| f                          | 11,0  | 11,0  | 11,0  | 11,0  |  |  |
| h ø                        | 5,2   | 5,2   | 5,2   | 5,2   |  |  |
| i                          | 5,0   | 5,0   | 5,0   | 5,0   |  |  |
| Leiter mm <sup>2</sup> min | 4     | 4     | 4     | 4     |  |  |
| Leiter mm <sup>2</sup> max | 10    | 10    | 10    | 10    |  |  |
|                            |       |       |       |       |  |  |
|                            |       |       |       |       |  |  |