

hanging connector - with Multi-Grip, with suspension clip



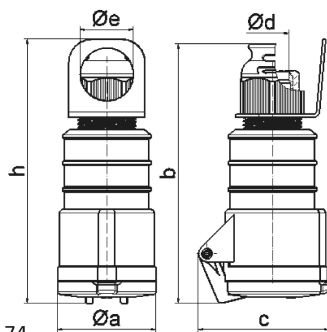
Product description	
BALS-Prd.-Nr	3219
EAN	4024941032193
product group	Quick-Connect TE hanging connector
current	32A
number of poles	4p
Arrangement of the phases	3P+PE
position of earth contact	2 h
voltage (V)	> 50V
frequency	over 300 up to 500Hz

Product description	
protection degree	IP44
colour code	green RAL 6002
Colour of appliance	Hinged lid green, Enclosure green, Cable gland grey
connection design	screwless sping/cage/kontex
maximum conductor size (LQ)	6,0 qmm
cable entry (KE)	Cable gland
Height	211mm
Width	66.5mm
Depth	91mm
material of enclosure	Polyamide
contact	The contact carrier is made of high temperature resistant material, the contacts are brass nickel plated

Additional technical information	
	For cable diameter from 11 up to max. 23,5 mm, Multi-Grip cable gland with gasket, integrated cable clamp and additional water evacuation openings

Logistics data	
Weight/pcs	0.0 kg / Piece
Packaging	Bag
Content amount	1 ST
EAN	4024941032193

Logistics data	
Length	91 mm
Width	66.5 mm
Height	211 mm
Weight	0.001 kg
Volume	1,276.86 ccm
Packaging	Carton
Content amount	10 ST
EAN	4024941835527
Length	325 mm
Width	217 mm
Height	210 mm
Weight	0.206 kg
Volume	13,588.4 ccm



3 MB 74

Ampere	16	16	16	32	32	32
Polzahl	3	4	5	3	4	5
a ø	51,0	58,0	65,0	66,5	66,5	72,0
b	156,0	162,0	168,0	195,0	195,0	198,0
c	72,0	78,0	86,0	89,0	89,0	99,0
d ø	18,0	18,0	21,0	23,0	23,0	27,0
e ø	39,5	39,5	35,5	48,5	48,5	44,5
h	167,5	173,5	171,5	208,0	208,0	205,0
Leiter mm ² min	1	1	1	2,5	2,5	2,5
Leiter mm ² max	2,5	2,5	2,5	6	6	6