

hanging connector - with Multi-Grip, with suspension clip



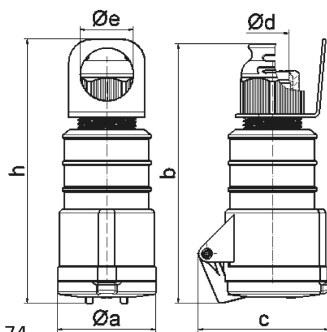
| Product description | |
|---------------------------|------------------------------------|
| BALS-Prd.-Nr | 3210 |
| EAN | 4024941032100 |
| product group | Quick-Connect TE hanging connector |
| current | 16A |
| number of poles | 4p |
| Arrangement of the phases | 3P+PE |
| position of earth contact | 6 h |
| voltage (V) | 380 up to 415V |
| frequency | 50 and 60Hz |

| Product description | |
|-----------------------------|--|
| protection degree | IP44 |
| colour code | red RAL 3000 |
| Colour of appliance | Hinged lid red, Enclosure red, Cable gland grey |
| connection design | screwless sping/cage/kontex |
| maximum conductor size (LQ) | 2,5 qmm |
| cable entry (KE) | Cable gland |
| Height | 174mm |
| Width | 58mm |
| Depth | 78mm |
| material of enclosure | Polyamide |
| contact | The contact carrier is made of high temperature resistant material, the contacts are brass nickel plated |

| Additional technical information | |
|----------------------------------|---|
| | For cable diameter from 8 up to max. 18 mm, Multi-Grip cable gland with gasket, integrated cable clamp and additional water evacuation openings |

| Logistics data | |
|----------------|------------------|
| Weight/pcs | 0.211 kg / Piece |
| Packaging | Bag |
| Content amount | 1 ST |
| EAN | 4024941032100 |

| Logistics data | |
|----------------|---------------|
| Length | 78 mm |
| Width | 58 mm |
| Height | 174 mm |
| Weight | 0.212 kg |
| Volume | 787.176 ccm |
| Packaging | Carton |
| Content amount | 10 ST |
| EAN | 4024941835459 |
| Length | 258 mm |
| Width | 183 mm |
| Height | 212 mm |
| Weight | 2.262 kg |
| Volume | 8,750 ccm |



3 MB 74

| Ampere | 16 | 16 | 16 | 32 | 32 | 32 |
|----------------------------|-------|-------|-------|-------|-------|-------|
| Polzahl | 3 | 4 | 5 | 3 | 4 | 5 |
| a ø | 51,0 | 58,0 | 65,0 | 66,5 | 66,5 | 72,0 |
| b | 156,0 | 162,0 | 168,0 | 195,0 | 195,0 | 198,0 |
| c | 72,0 | 78,0 | 86,0 | 89,0 | 89,0 | 99,0 |
| d ø | 18,0 | 18,0 | 21,0 | 23,0 | 23,0 | 27,0 |
| e ø | 39,5 | 39,5 | 35,5 | 48,5 | 48,5 | 44,5 |
| h | 167,5 | 173,5 | 171,5 | 208,0 | 208,0 | 205,0 |
| Leiter mm ² min | 1 | 1 | 1 | 2,5 | 2,5 | 2,5 |
| Leiter mm ² max | 2,5 | 2,5 | 2,5 | 6 | 6 | 6 |
| | | | | | | |
| | | | | | | |
| | | | | | | |