

connector - with screwless terminals, for harsh applications



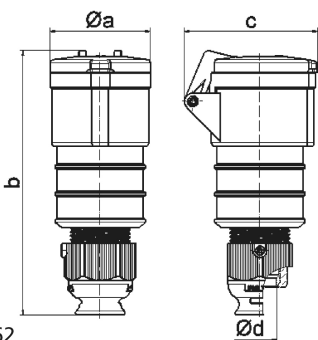
| Product description | |
|---------------------------|----------------------------|
| BALS-Prd.-Nr | 31984 |
| EAN | 4024941319843 |
| product group | Quick Connect TE connector |
| current | 32A |
| number of poles | 5p |
| Arrangement of the phases | 3p+N+PE |
| position of earth contact | 2 h |
| voltage (V) | > 50V |

| Product description | |
|-----------------------------|--|
| frequency | over 300 up to 500Hz |
| protection degree | IP44 |
| colour code | green RAL 6002 |
| Colour of appliance | Hinged lid green, Enclosure green, Cable gland grey |
| connection design | screwless sping/cage/kontex |
| maximum conductor size (LQ) | 6,0 qmm |
| cable entry (KE) | Cable gland |
| Height | 199mm |
| Width | 72mm |
| Depth | 99mm |
| material of enclosure | Polyamide |
| contact | The contact carrier is made of high temperature resistant material, the contacts are brass nickel plated |

| Additional technical information | |
|----------------------------------|--|
| | For cable diameter from 13 up to max. 27 mm, Multi-Grip cable gland with gasket, integrated cable clamp and additional water evacuation openings |

| Logistics data | |
|----------------|-----------------|
| Weight/pcs | 0.34 kg / Piece |
| Packaging | Bag |
| Content amount | 1 ST |

| Logistics data | |
|----------------|---------------|
| EAN | 4024941319843 |
| Length | 99 mm |
| Width | 72 mm |
| Height | 199 mm |
| Weight | 0.341 kg |
| Volume | 1,418.472 ccm |
| Packaging | Carton |
| Content amount | 10 ST |
| EAN | 4024941834834 |
| Length | 325 mm |
| Width | 217 mm |
| Height | 210 mm |
| Weight | 3.606 kg |
| Volume | 13,588.4 ccm |



3 MB 62

| Ampere | 16 | 16 | 16 | 32 | 32 | 32 |
|----------------------------|-------|-------|-------|-------|-------|-------|
| Polzahl | 3 | 4 | 5 | 3 | 4 | 5 |
| a ø | 51,0 | 58,0 | 65,0 | 66,5 | 66,5 | 72,0 |
| b | 156,0 | 162,0 | 168,0 | 195,0 | 195,0 | 198,0 |
| c | 72,0 | 78,0 | 86,0 | 89,0 | 89,0 | 99,0 |
| d ø | 18,0 | 18,0 | 21,0 | 23,0 | 23,0 | 27,0 |
| Leiter mm ² min | 1 | 1 | 1 | 2,5 | 2,5 | 2,5 |
| Leiter mm ² max | 2,5 | 2,5 | 2,5 | 6 | 6 | 6 |
| | | | | | | |
| | | | | | | |
| | | | | | | |
| | | | | | | |