

connector - with screwless terminals, for harsh applications



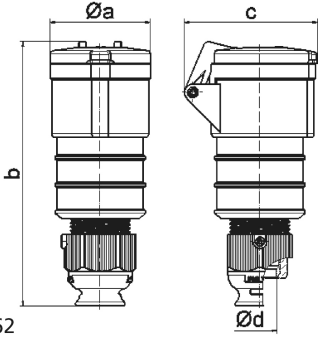
Product description	
BALS-Prd.-Nr	31965
EAN	4024941319652
product category (PG)	QUICK-CONNECT TE connector
current (A)	16A
number of poles (P99)	5p
number of poles (P)	3p+N+PE
position of earth contact (H)	10 h
voltage (V)	> 50V

Product description	
frequency (HZ)	100 up to 300Hz
protection degree (SA)	IP44
colour code 1 (KF1)	green RAL 6002
Colour of appliance	Hinged lid green RAL 6002, Enclosure green RAL 6002, Cable gland grey RAL 7035
connection design (AT)	screwless sping/cage/kontex
maximum conductor size (LQ)	2,5 qmm
cable entry (KE)	Cable gland
Height	173mm
Width	65mm
Depth	86mm
material of enclosure (GM)	Polyamide
contact	The contact carrier is made of high temperature resistant material, the contacts are brass nickel plated

Additional technical information	
	For cable diameter from 10 up to max. 21 mm, Multi-Grip cable gland with gasket, integrated cable clamp and additional water evacuation openings

Logistics data	
Weight/pcs	0.201 kg / Piece
Packaging	Bag
Content amount	1 ST

Logistics data	
EAN	4024941319652
Length	86 mm
Width	65 mm
Height	173 mm
Weight	0.202 kg
Volume	967.07 ccm
Packaging	Carton
Content amount	10 ST
EAN	4024941834759
Length	245 mm
Width	177 mm
Height	185 mm
Weight	2.143 kg
Volume	7,140 ccm



3 MB 62

Ampere	16	16	16	32	32	32
Polzahl	3	4	5	3	4	5
a ø	51,0	58,0	65,0	66,5	66,5	72,0
b	156,0	162,0	168,0	195,0	195,0	198,0
c	72,0	78,0	86,0	89,0	89,0	99,0
d ø	18,0	18,0	21,0	23,0	23,0	27,0
Leiter mm ² min	1	1	1	2,5	2,5	2,5
Leiter mm ² max	2,5	2,5	2,5	6	6	6