

## connector - with screwless terminals, for harsh applications



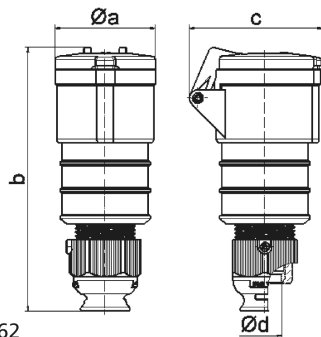
Product description	
BALS-Prd.-Nr	31959
EAN	4024941319591
product group	Quick Connect TE connector
current	16A
number of poles	4p
Arrangement of the phases	3P+PE
position of earth contact	7 h
voltage (V)	480 up to 500V

Product description	
frequency	50 and 60Hz
protection degree	IP44
colour code	black RAL 9005
Colour of appliance	Enclosure black, Hinged lid black, Cable gland grey
connection design	screwless sping/cage/kontex
maximum conductor size (LQ)	2,5 qmm
cable entry (KE)	Cable gland
Height	162mm
Width	58mm
Depth	78mm
material of enclosure	Polyamide
contact	The contact carrier is made of high temperature resistant material, the contacts are brass nickel plated

Additional technical information	
	For cable diameter from 8 up to max. 18 mm, Multi-Grip cable gland with gasket, integrated cable clamp and additional water evacuation openings

Logistics data	
Weight/pcs	0.166 kg / Piece
Packaging	Carton
Content amount	10 ST

Logistics data	
EAN	4024941958301
Length	275 mm
Width	175 mm
Height	137 mm
Weight	1.785 kg
Volume	5,737.5 ccm



Ampere	16	16	16	32	32	32
Polzahl	3	4	5	3	4	5
a ø	51,0	58,0	65,0	66,5	66,5	72,0
b	156,0	162,0	168,0	195,0	195,0	198,0
c	72,0	78,0	86,0	89,0	89,0	99,0
d ø	18,0	18,0	21,0	23,0	23,0	27,0
Leiter mm <sup>2</sup> min	1	1	1	2,5	2,5	2,5
Leiter mm <sup>2</sup> max	2,5	2,5	2,5	6	6	6