

connector - with screwless terminals, for harsh applications



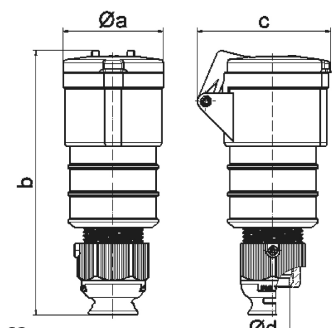
| Product description | |
|---------------------------|----------------------------|
| BALS-Prd.-Nr | 31957 |
| EAN | 4024941319577 |
| product group | Quick Connect TE connector |
| current | 16A |
| number of poles | 3p |
| Arrangement of the phases | 2P+PE |
| position of earth contact | 2 h |
| voltage (V) | > 50V |

| Product description | |
|-----------------------------|--|
| frequency | over 300 up to 500Hz |
| protection degree | IP44 |
| colour code | green RAL 6002 |
| Colour of appliance | Hinged lid green, Enclosure green, Cable gland grey |
| connection design | screwless sping/cage/kontex |
| maximum conductor size (LQ) | 2,5 qmm |
| cable entry (KE) | Cable gland |
| Height | 162mm |
| Width | 51mm |
| Depth | 72mm |
| material of enclosure | Polyamide |
| contact | The contact carrier is made of high temperature resistant material, the contacts are brass nickel plated |

| Additional technical information | |
|----------------------------------|---|
| | For cable diameter from 8 up to max. 18 mm, Multi-Grip cable gland with gasket, integrated cable clamp and additional water evacuation openings |

| Logistics data | |
|----------------|------------------|
| Weight/pcs | 0.155 kg / Piece |
| Packaging | Bag |
| Content amount | 1 ST |

| Logistics data | |
|----------------|---------------|
| EAN | 4024941319577 |
| Length | 72 mm |
| Width | 51 mm |
| Height | 162 mm |
| Weight | 0.156 kg |
| Volume | 594.864 ccm |
| Packaging | Carton |
| Content amount | 10 ST |
| EAN | 4024941834780 |
| Length | 248 mm |
| Width | 158 mm |
| Height | 123 mm |
| Weight | 1.647 kg |
| Volume | 3,960 ccm |



3 MB 62

| Ampere | 16 | 16 | 16 | 32 | 32 | 32 |
|----------------------------|-------|-------|-------|-------|-------|-------|
| Polzahl | 3 | 4 | 5 | 3 | 4 | 5 |
| a ø | 51,0 | 58,0 | 65,0 | 66,5 | 66,5 | 72,0 |
| b | 156,0 | 162,0 | 168,0 | 195,0 | 195,0 | 198,0 |
| c | 72,0 | 78,0 | 86,0 | 89,0 | 89,0 | 99,0 |
| d ø | 18,0 | 18,0 | 21,0 | 23,0 | 23,0 | 27,0 |
| Leiter mm ² min | 1 | 1 | 1 | 2,5 | 2,5 | 2,5 |
| Leiter mm ² max | 2,5 | 2,5 | 2,5 | 6 | 6 | 6 |
| | | | | | | |
| | | | | | | |
| | | | | | | |
| | | | | | | |