

## connector - with screwless terminals, for harsh applications



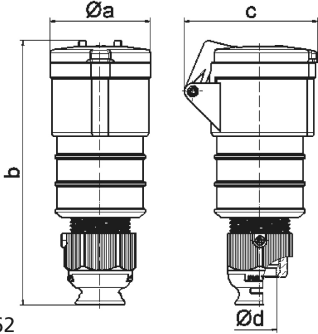
Product description	
BALS-Prd.-Nr	31779
EAN	4024941317795
product group	Quick Connect TE connector
current	32A
number of poles	4p
Arrangement of the phases	3P+PE
position of earth contact	1 h
voltage (V)	>50V for all other

Product description	
protection degree	IP44
colour code	gray RAL 7035
Colour of appliance	Hinged lid grey, Cable gland grey, Enclosure grey
connection design	screwless sping/cage/kontex
maximum conductor size (LQ)	6,0 qmm
cable entry (KE)	Cable gland
Height	198mm
Width	66mm
Depth	91mm
material of enclosure	Polyamide
contact	The contact carrier is made of high temperature resistant material, the contacts are brass nickel plated

Additional technical information	
	For cable diameter from 11 up to max. 23,5 mm, Multi-Grip cable gland with gasket, integrated cable clamp and additional water evacuation openings

Logistics data	
Weight/pcs	0.271 kg / Piece
Packaging	Bag
Content amount	1 ST
EAN	4024941317795

Logistics data	
Length	91 mm
Width	66 mm
Height	198 mm
Weight	0.272 kg
Volume	1,189.188 ccm
Packaging	Carton
Content amount	10 ST
EAN	4024941823777
Length	295 mm
Width	185 mm
Height	215 mm
Weight	2.871 kg
Volume	9,975 ccm



Ampere	16	16	16	32	32	32
Polzahl	3	4	5	3	4	5
a ø	51,0	58,0	65,0	66,5	66,5	72,0
b	156,0	162,0	168,0	195,0	195,0	198,0
c	72,0	78,0	86,0	89,0	89,0	99,0
d ø	18,0	18,0	21,0	23,0	23,0	27,0
Leiter mm <sup>2</sup> min	1	1	1	2,5	2,5	2,5
Leiter mm <sup>2</sup> max	2,5	2,5	2,5	6	6	6

3 MB 62