

## connector - with TE screw terminals, for harsh applications



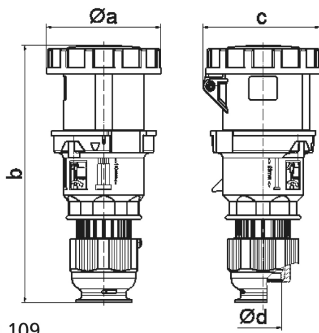
Product description	
BALS-Prd.-Nr	31724
EAN	4024941317245
product group	TE connector
current	63A
number of poles	3p
Arrangement of the phases	2P+PE
position of earth contact	7 h
voltage (V)	480 up to 500V

Product description	
frequency	50 and 60Hz
protection degree	IP67
colour code	black RAL 9005
Colour of appliance	Collar black, Hinged lid black, Bayonet ring grey, Cable gland grey, Housing cover black
connection design	kontex contact
maximum conductor size (LQ)	16,0 qmm
cable entry (KE)	Cable gland
Height	251mm
Width	110mm
Depth	115mm
material of enclosure	Polyamide
contact	The contact carrier is made of high temperature resistant material, the contacts are brass nickel plated

Additional technical information	
	For cable diameter from 16 up to max. 36 mm, Screwless housing connection, Multi-Grip cable gland with gasket, integrated cable clamp and additional water evacuation openings

Logistics data	
Weight/pcs	0.665 kg / Piece
Packaging	Carton
Content amount	5 ST

Logistics data	
EAN	4024941835312
Length	325 mm
Width	217 mm
Height	210 mm
Weight	3.527 kg
Volume	13,588.4 ccm



3 MB 109

Ampere	63	63	63				
Polzahl	3	4	5				
a ø	110,0	110,0	110,0				
b	251,0	251,0	251,0				
c	113,0	113,0	113,0				
d ø	36,0	36,0	36,0				
Leiter mm <sup>2</sup> min	6	6	6				
Leiter mm <sup>2</sup> max	16	16	16				