

for direct current, with Multi-Grip



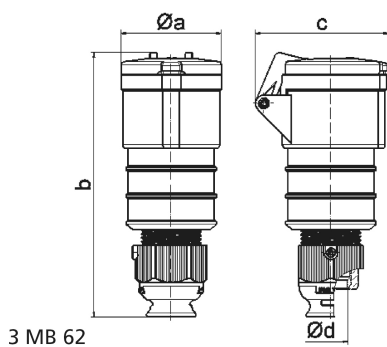
Product description	
BALS-Prd.-Nr	31677
EAN	4024941316774
product group	Quick Connect TE connector
current	16A
number of poles	3p
Arrangement of the phases	2P+PE
position of earth contact	3 h
voltage (V)	over 50 up to 250V
frequency	direct current (DC)

Product description	
protection degree	IP44
colour code	gray RAL 7035
Colour of appliance	Hinged lid grey, Cable gland grey, Enclosure grey
connection design	screwless sping/cage/kontex
maximum conductor size (LQ)	2,5 qmm
cable entry (KE)	Cable gland
Height	162mm
Width	51mm
Depth	72mm
material of enclosure	Polyamide
contact	The contact carrier is made of high temperature resistant material, the contacts are brass nickel plated

Additional technical information	
	For cable diameter from 8 up to max. 18 mm

Logistics data	
Weight/pcs	0.143 kg / Piece
Packaging	Bag
Content amount	1 ST
EAN	4024941316774
Length	72 mm

Logistics data	
Width	51 mm
Height	156 mm
Weight	0.144 kg
Volume	572.832 ccm
Packaging	Carton
Content amount	10 ST
EAN	4024941837774
Length	248 mm
Width	158 mm
Height	123 mm
Weight	1.527 kg
Volume	3,960 ccm



Ampere	16	16	16	32	32	32
Polzahl	3	4	5	3	4	5
a ø	51,0	58,0	65,0	66,5	66,5	72,0
b	156,0	162,0	168,0	195,0	195,0	198,0
c	72,0	78,0	86,0	89,0	89,0	99,0
d ø	18,0	18,0	21,0	23,0	23,0	27,0
Leiter mm ² min	1	1	1	2,5	2,5	2,5
Leiter mm ² max	2,5	2,5	2,5	6	6	6