

## connector - with screwless terminals, for harsh applications



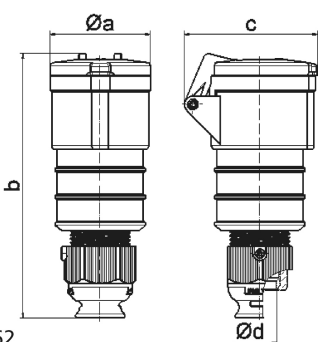
| Product description       |                            |
|---------------------------|----------------------------|
| BALS-Prd.-Nr              | 31672                      |
| EAN                       | 4024941316729              |
| product group             | Quick Connect TE connector |
| current                   | 32A                        |
| number of poles           | 4p                         |
| Arrangement of the phases | 3P+PE                      |
| position of earth contact | 2 h                        |
| voltage (V)               | > 50V                      |

| Product description         |  |
|-----------------------------|--|
| frequency                   | over 300 up to 500Hz   |
| protection degree           | IP44   |
| colour code                 | green RAL 6002   |
| Colour of appliance         | Hinged lid green, Enclosure green, Cable gland grey  |
| connection design           | screwless sping/cage/kontex  |
| maximum conductor size (LQ) | 6,0 qmm  |
| cable entry (KE)            | Cable gland  |
| Height                      | 198mm  |
| Width                       | 66mm   |
| Depth                       | 91mm   |
| material of enclosure       | Polyamide  |
| contact                     | The contact carrier is made of high temperature resistant material, the contacts are brass nickel plated |

| Additional technical information |  |
|----------------------------------|--|
|                                  | For cable diameter from 11 up to max. 23,5 mm, Multi-Grip cable gland with gasket, integrated cable clamp and additional water evacuation openings |

| Logistics data |                 |
|----------------|-----------------|
| Weight/pcs     | 0.31 kg / Piece |
| Packaging      | Bag             |
| Content amount | 1 ST            |

| Logistics data |               |
|----------------|---------------|
| EAN            | 4024941316729 |
| Length         | 91 mm         |
| Width          | 66 mm         |
| Height         | 198 mm        |
| Weight         | 0.311 kg      |
| Volume         | 1,189.188 ccm |
| Packaging      | Carton        |
| Content amount | 10 ST         |
| EAN            | 4024941834827 |
| Length         | 325 mm        |
| Width          | 217 mm        |
| Height         | 210 mm        |
| Weight         | 3.302 kg      |
| Volume         | 13,588.4 ccm  |



3 MB 62

| Ampere                     | 16    | 16    | 16    | 32    | 32    | 32    |
|----------------------------|-------|-------|-------|-------|-------|-------|
| Polzahl                    | 3     | 4     | 5     | 3     | 4     | 5     |
| a ø                        | 51,0  | 58,0  | 65,0  | 66,5  | 66,5  | 72,0  |
| b                          | 156,0 | 162,0 | 168,0 | 195,0 | 195,0 | 198,0 |
| c                          | 72,0  | 78,0  | 86,0  | 89,0  | 89,0  | 99,0  |
| d ø                        | 18,0  | 18,0  | 21,0  | 23,0  | 23,0  | 27,0  |
| Leiter mm <sup>2</sup> min | 1     | 1     | 1     | 2,5   | 2,5   | 2,5   |
| Leiter mm <sup>2</sup> max | 2,5   | 2,5   | 2,5   | 6     | 6     | 6     |
|                            |       |       |       |       |       |       |
|                            |       |       |       |       |       |       |
|                            |       |       |       |       |       |       |
|                            |       |       |       |       |       |       |