

connector - with screwless terminals, for harsh applications



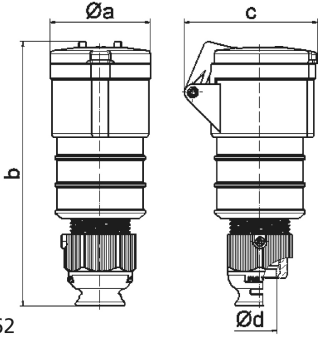
Product description	
BALS-Prd.-Nr	31669
EAN	4024941316699
product group	Quick Connect TE connector
current	16A
number of poles	4p
Arrangement of the phases	3P+PE
position of earth contact	10 h
voltage (V)	> 50V

Product description	
frequency	100 up to 300Hz
protection degree	IP44
colour code	green RAL 6002
Colour of appliance	Hinged lid green, Enclosure green, Cable gland grey
connection design	screwless sping/cage/kontex
maximum conductor size (LQ)	2,5 qmm
cable entry (KE)	Cable gland
Height	162mm
Width	58mm
Depth	78mm
material of enclosure	Polyamide
contact	The contact carrier is made of high temperature resistant material, the contacts are brass nickel plated

Additional technical information	
	For cable diameter from 8 up to max. 18 mm, Multi-Grip cable gland with gasket, integrated cable clamp and additional water evacuation openings

Logistics data	
Weight/pcs	0.167 kg / Piece
Packaging	Bag
Content amount	1 ST

Logistics data	
EAN	4024941316699
Length	78 mm
Width	58 mm
Height	162 mm
Weight	0.168 kg
Volume	732.888 ccm
Packaging	Carton
Content amount	10 ST
EAN	4024941834742
Length	275 mm
Width	175 mm
Height	137 mm
Weight	1.795 kg
Volume	5,737.5 ccm



3 MB 62

Ampere	16	16	16	32	32	32
Polzahl	3	4	5	3	4	5
a ø	51,0	58,0	65,0	66,5	66,5	72,0
b	156,0	162,0	168,0	195,0	195,0	198,0
c	72,0	78,0	86,0	89,0	89,0	99,0
d ø	18,0	18,0	21,0	23,0	23,0	27,0
Leiter mm ² min	1	1	1	2,5	2,5	2,5
Leiter mm ² max	2,5	2,5	2,5	6	6	6