

## connector - with TE screw terminals, for harsh applications



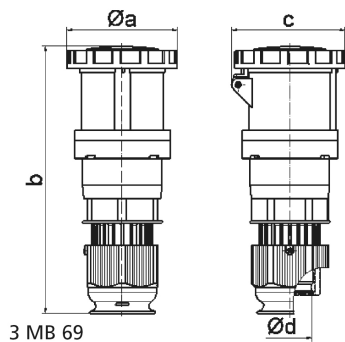
Product description	
BALS-Prd.-Nr	31641
EAN	4024941316415
product group	TE connector
current	125A
number of poles	5p
Arrangement of the phases	3p+N+PE
position of earth contact	1 h
voltage (V)	>50V for all other

Product description	
protection degree	IP67
colour code	gray RAL 7035
Colour of appliance	Hinged lid grey, Bayonet ring grey, Housing cover grey, Cable gland grey, Collar grey
connection design	kontex contact
maximum conductor size (LQ)	50.0 qmm
cable entry (KE)	Cable gland
Height	295mm
Width	125mm
Depth	128mm
material of enclosure	Polycarbonate + Polyester
contact	The contact carrier is made of high temperature resistant material, the contacts are brass nickel plated

Additional technical information	
	For cable diameter from 26 up to max. 50 mm, Multi-Grip cable gland with gasket, integrated cable clamp and additional water evacuation openings

Logistics data	
Weight/pcs	1.37 kg / Piece
Packaging	Bag
Content amount	1 ST
EAN	4024941316415

Logistics data	
Length	129 mm
Width	125 mm
Height	303 mm
Weight	1.371 kg
Volume	4,885.875 ccm
Packaging	Carton
Content amount	5 ST
EAN	4024941836388
Length	345 mm
Width	345 mm
Height	217 mm
Weight	7.185 kg
Volume	24,276 ccm



Ampere	125	125	125					
Polzahl	3	4	5					
a ø	125,0	125,0	125,0					
b	300,0	300,0	300,0					
c	128,0	128,0	128,0					
d ø	50,0	50,0	50,0					
Leiter mm <sup>2</sup> min	16	16	16					
Leiter mm <sup>2</sup> max	50	50	50					