

connector - with TE screw terminals, for harsh applications



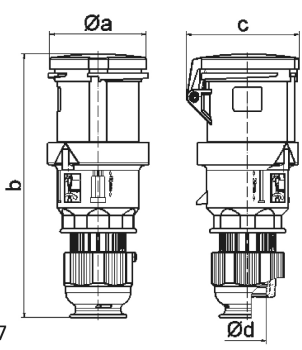
Product description	
BALS-Prd.-Nr	3150
EAN	4024941031509
product group	TE connector
current	63A
number of poles	4p
Arrangement of the phases	3P+PE
position of earth contact	9 h
voltage (V)	200 up to 250V

Product description	
frequency	50 and 60Hz
protection degree	IP44
colour code	blue RAL 5015
Colour of appliance	Pusher grey, Hinged lid blue, Housing cover grey, Cable gland grey, Collar grey
connection design	kontex contact
maximum conductor size (LQ)	16,0 qmm
cable entry (KE)	Cable gland
Height	252mm
Width	97mm
Depth	109mm
material of enclosure	Polyamide
contact	The contact carrier is made of high temperature resistant material, the contacts are brass nickel plated

Additional technical information	
	For cable diameter from 16 up to max. 36 mm, Screwless housing connection, Multi-Grip cable gland with gasket, integrated cable clamp and additional water evacuation openings

Logistics data	
Weight/pcs	0.635 kg / Piece
Packaging	Bag
Content amount	1 ST

Logistics data	
EAN	4024941031509
Length	109 mm
Width	97 mm
Height	252 mm
Weight	0.636 kg
Volume	2,664.396 ccm
Packaging	Carton
Content amount	5 ST
EAN	4024941819268
Length	325 mm
Width	217 mm
Height	210 mm
Weight	3.381 kg
Volume	13,588.4 ccm



3 MB 107

	63	63	63				
Ampere	3	4	5				
Polzahl	3	4	5				
a ø	95,0	95,0	95,0				
b	251,0	251,0	251,0				
c	109,0	109,0	109,0				
d ø	36,0	36,0	36,0				
Leiter mm ² min	6	6	6				
Leiter mm ² max	16	16	16				