

connector - with screwless terminals



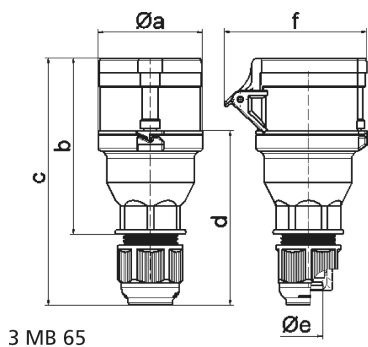
Product description	
BALS-Prd.-Nr	3147
EAN	4024941031479
product group	Qucik-Connect connector
current	32A
number of poles	5p
Arrangement of the phases	3p+N+PE
position of earth contact	9 h
voltage (V)	120/208 up to 144/250V
frequency	50 and 60Hz

Product description	
protection degree	IP44
colour code	blue RAL 5015
Colour of appliance	Collar blue, Hinged lid blue, Housing cover grey, Cable gland grey
connection design	screwless spring/cage/kontex
maximum conductor size (LQ)	6,0 qmm
cable entry (KE)	Cable gland
Height	188mm
Width	79mm
Depth	102mm
material of enclosure	Polyamide
contact	The contact carrier is made of polyamide, The contacts are brass

Additional technical information	
	Multi-Grip cable gland with gasket and integrated strain relief, Screwless housing connection with snap fastening, For cable diameter from 11 up to max. 23,5 mm

Logistics data	
Weight/pcs	0.292 kg / Piece
Packaging	Bag
Content amount	1 ST
EAN	4024941031479

Logistics data	
Length	93 mm
Width	79 mm
Height	188 mm
Weight	0.293 kg
Volume	1,381.236 ccm
Packaging	Carton
Content amount	10 ST
EAN	4024941834582
Length	325 mm
Width	217 mm
Height	210 mm
Weight	3.126 kg
Volume	13,588.4 ccm



Ampere	16	16	16	32	32	32
Polzahl	3	4	5	3	4	5
a ø	53,0	60,0	66,0	74,5	74,5	74,5
b	100,5	112,5	113,5	133,5	133,5	134,5
c	141,0	153,0	154,0	186,0	186,0	187,0
d	97,5	104,5	105,5	127,5	127,5	128,5
e ø	18,0	18,0	18,0	23,0	23,0	23,0
f	76,0	79,0	86,0	92,0	92,0	97,0
Leiter mm ² min	1	1	1	2,5	2,5	2,5
Leiter mm ² max	2,5	2,5	2,5	6	6	6