

with cable gland, with bayonet cover



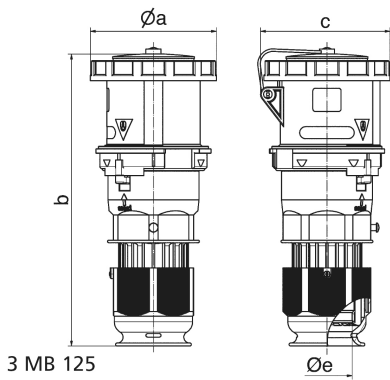
Product description	
BALS-Prd.-Nr	31325
EAN	4024941313254
product group	TN connector
current	63A
number of poles	5p
Arrangement of the phases	3p+N+PE
position of earth contact	11 h
voltage (V)	250/400 up to 265/460V
frequency	60Hz

Product description	
VG-Type-No.:	VG 96919 DS 011
protection degree	IP67
colour code	bronze-green RAL 6031-F9
Colour of appliance	Pusher black, Cable gland bronze-green, Bayonet ring bronze-green, Housing cover bronze-green, Collar bronze-green, Hinged lid bronze-green
connection design	kontex contact
maximum conductor size (LQ)	16,0 qmm
cable entry (KE)	Cable gland
Height	256mm
Width	111mm
Depth	115mm
material of enclosure	Polyamide
contact	The contact carrier is made of high temperature resistant material, the contacts are brass nickel plated

Additional technical information	
	with pilot contact
	For cable diameter from 16 up to max. 36 mm, Multi-Grip cable gland with gasket, integrated cable clamp and additional water evacuation openings
	With bayonet cover on strap

Logistics data	
Weight/pcs	0.8 kg / Piece

Logistics data	
Packaging	Carton
Content amount	5 ST
EAN	4024941840040
Length	325 mm
Width	217 mm
Height	210 mm
Weight	4.206 kg
Volume	13,588.4 ccm



Ampere	63	63	63	125	125	125
Polzahl	3	4	5	3	4	5
a ø	110,0	110,0	110,0	125,0	125,0	125,0
b	263,0	263,0	263,0	300,0	300,0	300,0
c	113,0	113,0	113,0	128,0	128,0	128,0
d ø	36,0	36,0	36,0	50,0	50,0	50,0
Leiter mm ² min	6,0	6,0	6,0	16,0	16,0	16,0
Leiter mm ² max	16,0	16,0	16,0	50,0	50,0	50,0