

connector - with screwless terminals, for harsh applications



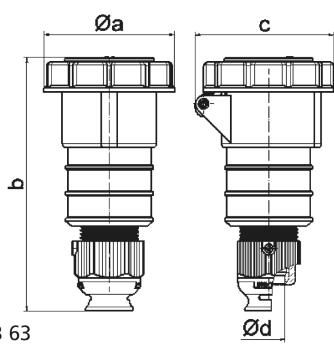
Product description	
BALS-Prd.-Nr	31314
EAN	4024941313148
product group	Quick Connect TE connector
current	32A
number of poles	5p
Arrangement of the phases	3p+N+PE
position of earth contact	9 h
voltage (V)	120/208 up to 144/250V

Product description	
frequency	50 and 60Hz
protection degree	IP67
colour code	blue RAL 5015
Colour of appliance	Enclosure blue, Hinged lid blue, Bayonet ring grey, Cable gland grey
connection design	screwless sping/cage/kontex
maximum conductor size (LQ)	6,0 qmm
cable entry (KE)	Cable gland
Height	196mm
Width	101.5mm
Depth	106mm
material of enclosure	Polyamide
contact	The contact carrier is made of high temperature resistant material, the contacts are brass nickel plated

Additional technical information	
	For cable diameter from 13 up to max. 27 mm, Multi-Grip cable gland with gasket, integrated cable clamp and additional water evacuation openings

Logistics data	
Weight/pcs	0.42 kg / Piece
Packaging	Bag
Content amount	1 ST

Logistics data	
EAN	4024941313148
Length	106 mm
Width	101.5 mm
Height	196 mm
Weight	0.421 kg
Volume	2,108.764 ccm
Packaging	Carton
Content amount	10 ST
EAN	4024941828109
Length	330 mm
Width	216 mm
Height	260 mm
Weight	4.426 kg
Volume	17,062.5 ccm



Ampere Polzahl	16 3	16 4	16 5	32 3	32 4	32 5
a ø	70,5	78,0	86,5	94,0	94,0	101,5
b	161,0	161,0	168,0	196,0	196,0	200,0
c	77,0	83,0	93,0	99,0	99,0	107,0
d ø	18,0	18,0	21,0	23,0	23,0	27,0
Leiter mm ² min	1	1	1	2,5	2,5	2,5
Leiter mm ² max	2,5	2,5	2,5	6	6	6