

connector - with screwless terminals



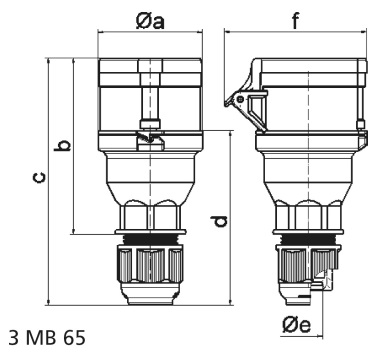
Product description	
BALS-Prd.-Nr	3129
EAN	4024941031295
product group	Qucik-Connect connector
current	16A
number of poles	4p
Arrangement of the phases	3P+PE
position of earth contact	9 h
voltage (V)	200 up to 250V
frequency	50 and 60Hz

Product description	
protection degree	IP44
colour code	blue RAL 5015
Colour of appliance	Collar blue, Hinged lid blue, Housing cover grey, Cable gland grey
connection design	screwless spring/cage/kontex
maximum conductor size (LQ)	2,5 qmm
cable entry (KE)	Cable gland
Height	162mm
Width	60mm
Depth	79mm
material of enclosure	Polyamide
contact	The contact carrier is made of polyamide, The contacts are brass

Additional technical information	
	Multi-Grip cable gland with gasket and integrated strain relief, Screwless housing connection with snap fastening, For cable diameter from 8 up to max. 18 mm

Logistics data	
Weight/pcs	0.156 kg / Piece
Packaging	Bag
Content amount	1 ST
EAN	4024941031295

Logistics data	
Length	79 mm
Width	60 mm
Height	162 mm
Weight	0.157 kg
Volume	767.88 ccm
Packaging	Carton
Content amount	10 ST
EAN	4024941819251
Length	275 mm
Width	175 mm
Height	137 mm
Weight	1.685 kg
Volume	5,737.5 ccm



Ampere	16	16	16	32	32	32
Polzahl	3	4	5	3	4	5
a ø	53,0	60,0	66,0	74,5	74,5	74,5
b	100,5	112,5	113,5	133,5	133,5	134,5
c	141,0	153,0	154,0	186,0	186,0	187,0
d	97,5	104,5	105,5	127,5	127,5	128,5
e ø	18,0	18,0	18,0	23,0	23,0	23,0
f	76,0	79,0	86,0	92,0	92,0	97,0
Leiter mm ² min	1	1	1	2,5	2,5	2,5
Leiter mm ² max	2,5	2,5	2,5	6	6	6