

connector - with TE screw terminals, for harsh applications

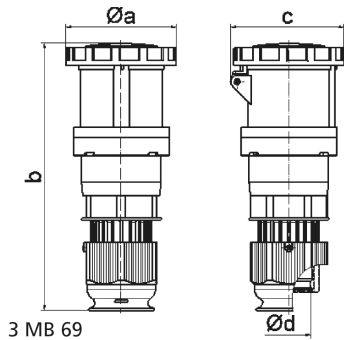


Product description	
BALS-Prd.-Nr	31266
EAN	4024941312660
product group	TE connector
current	125A
number of poles	5p
Arrangement of the phases	3p+N+PE
position of earth contact	5 h
voltage (V)	347/600 up to 400/690V

Product description	
frequency	50 and 60Hz
protection degree	IP67
colour code	black RAL 9005
Colour of appliance	Hinged lid black, Bayonet ring grey, Housing cover grey, Cable gland grey, Collar grey
connection design	kontex contact
maximum conductor size (LQ)	50.0 qmm
cable entry (KE)	Cable gland
Height	295mm
Width	125mm
Depth	128mm
material of enclosure	Polyamide
contact	The contact carrier is made of high temperature resistant material, the contacts are brass nickel plated

Logistics data	
Weight/pcs	1.365 kg / Piece
Packaging	Bag
Content amount	1 ST
EAN	4024941312660
Length	128 mm
Width	125 mm

Logistics data	
Height	295 mm
Weight	1.366 kg
Volume	4,720 ccm
Packaging	Carton
Content amount	5 ST
EAN	4024941838108
Length	345 mm
Width	345 mm
Height	217 mm
Weight	7.16 kg
Volume	24,276 ccm



Ampere	125	125	125					
Polzahl	3	4	5					
a ø	125,0	125,0	125,0					
b	300,0	300,0	300,0					
c	128,0	128,0	128,0					
d ø	50,0	50,0	50,0					
Leiter mm ² min	16	16	16					
Leiter mm ² max	50	50	50					