

connector - with TE screw terminals, for harsh applications



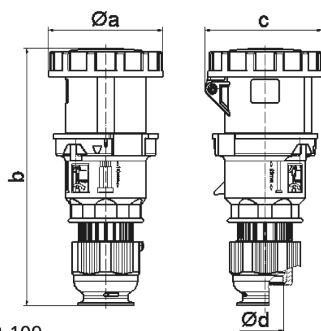
Product description	
BALS-Prd.-Nr	3124
EAN	4024941031240
product group	TE connector
current	63A
number of poles	5p
Arrangement of the phases	3p+N+PE
position of earth contact	6 h
voltage (V)	200/346 up to 240/415V

Product description	
frequency	50 and 60Hz
protection degree	IP67
colour code	red RAL 3000
Colour of appliance	Pusher grey, Housing cover red, Collar red, Hinged lid red, Bayonet ring grey, Cable gland grey
connection design	kontex contact
maximum conductor size (LQ)	16,0 qmm
cable entry (KE)	Cable gland
Height	251mm
Width	110mm
Depth	115mm
material of enclosure	Polyamide
contact	The contact carrier is made of high temperature resistant material, the contacts are brass nickel plated

Additional technical information	
	For cable diameter from 16 up to max. 36 mm, Screwless housing connection, Multi-Grip cable gland with gasket, integrated cable clamp and additional water evacuation openings

Logistics data	
Weight/pcs	0.72 kg / Piece
Packaging	Bag
Content amount	1 ST

Logistics data	
EAN	4024941031240
Length	115 mm
Width	110 mm
Height	251 mm
Weight	0.721 kg
Volume	3,175.15 ccm
Packaging	Carton
Content amount	5 ST
EAN	4024941954907
Length	325 mm
Width	217 mm
Height	210 mm
Weight	3.806 kg
Volume	13,588.4 ccm



	63	63	63				
Ampere	3	4	5				
Polzahl	3	4	5				
a ø	110,0	110,0	110,0				
b	251,0	251,0	251,0				
c	113,0	113,0	113,0				
d ø	36,0	36,0	36,0				
Leiter mm ² min	6	6	6				
Leiter mm ² max	16	16	16				