

connector - with TE screw terminals, for harsh applications



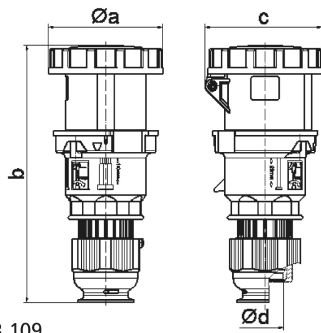
Product description	
BALS-Prd.-Nr	31183
EAN	4024941311830
product group	TE connector
current	63A
number of poles	5p
Arrangement of the phases	3p+N+PE
position of earth contact	2 h
voltage (V)	> 50V

Product description	
frequency	over 300 up to 500Hz
protection degree	IP67
colour code	green RAL 6002
Colour of appliance	Hinged lid green, Bayonet ring grey, Housing cover grey, Cable gland grey, Collar grey
connection design	kontex contact
maximum conductor size (LQ)	16,0 qmm
cable entry (KE)	Cable gland
Height	251mm
Width	110mm
Depth	115mm
material of enclosure	Polyamide
contact	The contact carrier is made of high temperature resistant material, the contacts are brass nickel plated

Additional technical information	
	For cable diameter from 16 up to max. 36 mm, Screwless housing connection, Multi-Grip cable gland with gasket, integrated cable clamp and additional water evacuation openings

Logistics data	
Weight/pcs	0.75 kg / Piece
Packaging	Carton
Content amount	5 ST

Logistics data	
EAN	4024941835350
Length	325 mm
Width	217 mm
Height	210 mm
Weight	3.952 kg
Volume	13,588.4 ccm



3 MB 109

	63	63	63				
Ampere	3	4	5				
Polzahl	3	4	5				
a ø	110,0	110,0	110,0				
b	251,0	251,0	251,0				
c	113,0	113,0	113,0				
d ø	36,0	36,0	36,0				
Leiter mm ² min	6	6	6				
Leiter mm ² max	16	16	16				