

## for Event technology



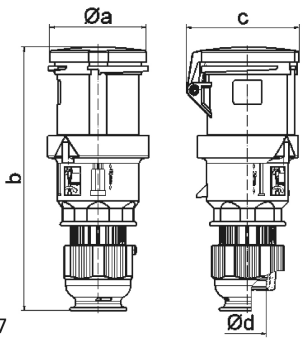
Product description	
BALS-Prd.-Nr	310749
EAN	4024941939027
product group	TE connector
current	63A
number of poles	4p
Arrangement of the phases	3P+PE
position of earth contact	6 h
voltage (V)	380 up to 415V
frequency	50 and 60Hz

Product description	
protection degree	IP44
colour code	red RAL 3000
Colour of appliance	Collar black, Pusher black, Hinged lid black, Housing cover black, Cable gland black
connection design	kontex contact
maximum conductor size (LQ)	16,0 qmm
cable entry (KE)	Cable gland
Height	252mm
Width	97mm
Depth	109mm
material of enclosure	Polyamide
contact	The contact carrier is made of high temperature resistant material, the contacts are brass nickel plated

Additional technical information	
	For cable diameter from 16 up to max. 36 mm, Screwless housing connection, Multi-Grip cable gland with gasket, integrated cable clamp and additional water evacuation openings

Logistics data	
Weight/pcs	0.63 kg / Piece
Packaging	Bag
Content amount	1 ST
EAN	4024941939027

Logistics data	
Length	109 mm
Width	97 mm
Height	252 mm
Weight	0.631 kg
Volume	2,664.396 ccm
Packaging	Carton
Content amount	5 ST
EAN	4024941840613
Length	325 mm
Width	217 mm
Height	210 mm
Weight	3.356 kg
Volume	13,588.4 ccm



3 MB 107

Ampere	63	63	63			
Polzahl	3	4	5			
a ø	95,0	95,0	95,0			
b	251,0	251,0	251,0			
c	109,0	109,0	109,0			
d ø	36,0	36,0	36,0			
Leiter mm <sup>2</sup> min	6	6	6			
Leiter mm <sup>2</sup> max	16	16	16			